

PLATINUM DOWNLIGHT

Product Features

- Die-cast aluminium body designed to provide optimal thermal control with aluminium bezel with aluminium reflector.
- High performance downlight with efficacy up to 129 Llm/cW with gloss/matt reflector
- Recessed mounted with unique swing tab design for quick and easy installation. Cutout is 205mm



CAT NO.	DRIVER	LUMINAIRE LUMENS	WATTAGE	EFFICACY Llm/cW
LDP20W12GS40	Fixed Output	1200	9.5W	126
LDP20W12GD40	Digital Dimmable	1200	9.5W	126
LDP20W16GS40	Fixed Output	1600	13W	123
LDP20W16GD40	Digital Dimmable	1600	13W	123
LDP20W22GS40	Fixed Output	2200	17W	129
LDP20W22GD40	Digital Dimmable	2200	17W	129
LDP20W32GS40	Fixed Output	3200	25W	128
LDP20W32GD40	Digital Dimmable	3200	25W	128
LDP20W63GS40	Fixed Output	6300	52W	121

CAT NO.	DRIVER	LUMINAIRE LUMENS	WATTAGE	EFFICACY Llm/cW
LDP20W12MS40	Fixed Output	1200	9.5W	126
LDP20W12MD40	Digital Dimmable	1200	9.5W	126
LDP20W16MS40	Fixed Output	1600	13W	123
LDP20W16MD40	Digital Dimmable	1600	13W	123
LDP20W22MS40	Fixed Output	2200	17W	129
LDP20W22MD40	Digital Dimmable	2200	17W	129
LDP20W32MS40	Fixed Output	3200	25W	128
LDP20W32MD40	Digital Dimmable	3200	25W	128
LDP20W63MS40	Fixed Output	6300	52W	121

PRODUCT OPTIONS

Remote Emergency Pack	LED3EP80
Self Test Remote Emergency Pack	LED3EP80EST
DALI Addressable Emergency Pack	LED3EP80DED
Lite IP Connectivity	Insert W , eg. LDP20W22GW40
Lite IP Connectivity with PIR Sensor	Insert W , eg. LDP20W22GW40PIR

To Specify:

Recessed high performance 220mm diameter downlight with efficacy up to 129 Llm/cW. Die-cast aluminium heatsink and bezel with aluminium reflector. Unique swingtab design makes installation faster and easier.

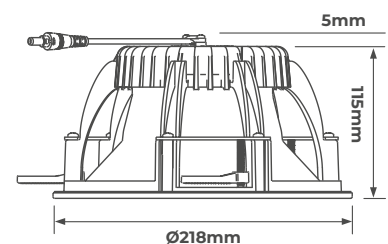


Gloss Finish



Matt Finish

Product Drawing



PRODUCT ACCESSORIES

White Bezel Accessory with Emergency Indicator - IP44	LDP20BWHEM
Polished Chrome Bezel Accessory - IP44	LDP20BPC
Brushed Steel Bezel Accessory - IP44	LDP20BBS
Decorative Glass Bezel Accessory, White, Dropped Halo - IP44	LDP20BWHDH
Decorative Glass Bezel Accessory, White, Frosted Glass - IP44	LDP20BWHDF
Decorative Glass Bezel Accessory, Polished Chrome, Dropped Halo - IP44	LDP20BPCDH
Decorative Glass Bezel Accessory, Polished Chrome, Frosted Glass - IP44	LDP20BPCDF
Decorative Glass Bezel Accessory, Brushed Steel, Dropped Halo - IP44	LDP20BBSDH
Decorative Glass Bezel Accessory, Brushed Steel, Frosted Glass - IP44	LDP20BBSDF
IP65 White Bezel Accessory - Frosted Diffuser	LDP20BWHIPF
IP65 White Bezel Accessory - Clear Diffuser	LDP20BWHIP



LDP20BBS



LDP20BPCDF



LDP20BWHIPF

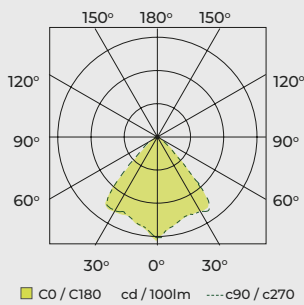
CAT NO.	WEIGHT (kg)	CRI	FREQUENCY (Hz)	SDCM	UGR	IK RATING	TEMP RANGE (°C)	AMBIENT TEMP RATED LIFE (°C)	L/B RATED LIFE
LDP20W12GS40	1.16	>80	50-60	<3	<19	IK07	-20 to +40	25	L80 / B10
LDP20W12GD40	1.36	>80	50-60	<3	<19	IK07	-20 to +40	25	L80 / B10
LDP20W16GS40	1.16	>80	50-60	<3	<20	IK07	-20 to +40	25	L80 / B10
LDP20W16GD40	1.36	>80	50-60	<3	<20	IK07	-20 to +40	25	L80 / B10
LDP20W22GS40	1.16	>80	50-60	<3	<21	IK07	-20 to +40	25	L80 / B10
LDP20W22GD40	1.36	>80	50-60	<3	<21	IK07	-20 to +40	25	L80 / B10
LDP20W32GS40	1.16	>80	50-60	<3	<22	IK07	-20 to +40	25	L80 / B10
LDP20W32GD40	1.36	>80	50-60	<3	<22	IK07	-20 to +40	25	L80 / B10
LDP20W63GS40	1.23	>80	50-60	<3	<24	IK07	-20 to +40	25	L80 / B10
LDP20W12MS40	1.16	>80	50-60	<3	<19	IK07	-20 to +40	25	L80 / B10
LDP20W12MD40	1.36	>80	50-60	<3	<19	IK07	-20 to +40	25	L80 / B10
LDP20W16MS40	1.16	>80	50-60	<3	<20	IK07	-20 to +40	25	L80 / B10
LDP20W16MD40	1.36	>80	50-60	<3	<20	IK07	-20 to +40	25	L80 / B10
LDP20W22MS40	1.16	>80	50-60	<3	<21	IK07	-20 to +40	25	L80 / B10
LDP20W22MD40	1.36	>80	50-60	<3	<21	IK07	-20 to +40	25	L80 / B10
LDP20W32MS40	1.16	>80	50-60	<3	<22	IK07	-20 to +40	25	L80 / B10
LDP20W32MD40	1.36	>80	50-60	<3	<22	IK07	-20 to +40	25	L80 / B10
LDP20W63MS40	1.23	>80	50-60	<3	<24	IK07	-20 to +40	25	L80 / B10

LDP20W32GS40

Luminaire Performance

Light Output Ratio: 100%
 Luminaire Efficacy: 126.32 lm/W
 Light Distribution: A60 ± 98.9%± 1.1%
 CIE Flux Codes: 80 99 100 99 101
 UGR 4H 8H (20%, 50%, 70%) C0 / C90: 25.7 / 25.6

Luminous Intensity

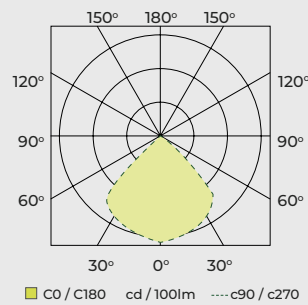


LDP20W15MS40

Luminaire Performance

Light Output Ratio: 100%
 Luminaire Efficacy: 123.08 lm/W
 Light Distribution: A60 ± 98.9%± 1.1%
 CIE Flux Codes: 80 99 100 99 101
 UGR 4H 8H (20%, 50%, 70%) C0 / C90: 25.1 / 25.2

Luminous Intensity



STANDARD	DESCRIPTION
EN 60598-1	Luminaires – General requirements
EN 60598-2-2	Luminaires – Recessed
EN 60598-2-22	Luminaires – Emergency
EN 61000-3-2	Electromagnetic compatibility (EMC) – Part 3-2: Limits - for harmonic current emissions
EN 61000-3-3	Limits - Limitation of voltage changes, voltage fluctuations and flicker in public low-voltage supply systems, for equipment with rated current ≤ 16 A per phase and not subject to conditional connection
EN 61547	Equipment for general lighting purposes – EMC immunity requirements
EN 55015	Limits and methods of measurement of radio disturbance characteristics of electrical lighting and similar equipment

LUCECO

This luminaire contains built-in LED lamps.

A++

A+

A

B

C

D

E

} LED

The lamps cannot be changed in the luminaire.

874/2012

