

CONTOUR SUSPENDED

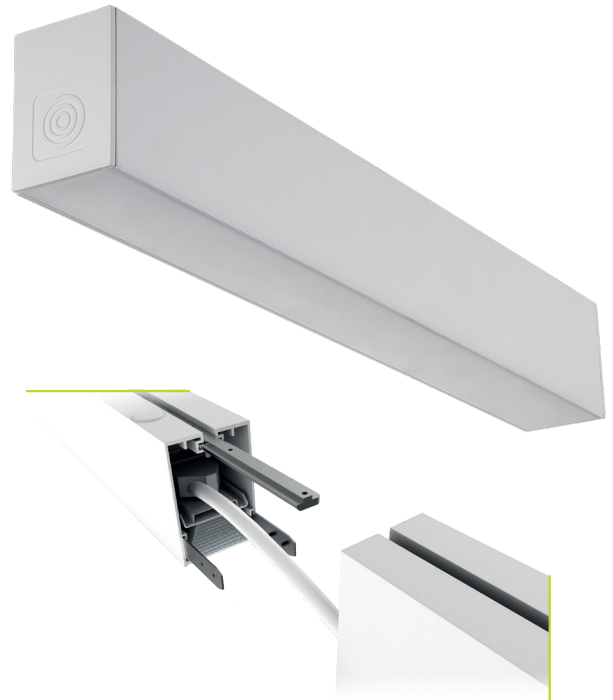
Product Features

- Continuous light system with connectable modules offered in 600mm, 1200mm, 1500mm & 1800mm and illuminated connectors
- Premium aluminium extrusion with high quality polycarbonate diffuser
- Opal diffuser, micro-prism & asymmetric optic distributions available
- Suspension mounted via 1.5m suspension kit, plug and play wiring for continuous connection

Mechanical & Electrical Connectors

LCOCC – Continuous Wiring Connector (1 required for each electrical connection)

LCOFB – Continuous Fixing Bracket (1 required for each luminaire)



CAT NO.	DRIVER	LENGTH INC. END CAPS (mm)	LENGTH EXCL. END CAPS (mm)	LUMINAIRE LUMENS	WATTAGE	EFFICACY Llm/cW
LCO06WO06S40	Fixed Output	571	565	600	6W	100
LCO06WO06D40	Digital Dimmable	571	565	600	6W	100
LCO12WO12S40	Fixed Output	1132	1126	1200	11W	104
LCO12WO12E40	Fixed Output + Emergency	1132	1126	1200	11W	104
LCO12WO12D40	Digital Dimmable	1132	1126	1200	11W	104
LCO12WO12ED40	Digital Dimmable + Emergency	1132	1126	1200	11W	104
LCO12WO24S40	Fixed Output	1132	1126	2400	23W	105
LCO12WO24E40	Fixed Output + Emergency	1132	1126	2400	23W	114
LCO12WO24D40	Digital Dimmable	1132	1126	2400	23W	114
LCO12WO24ED40	Digital Dimmable + Emergency	1132	1126	2400	23W	114
LCO15WO15S40	Fixed Output	1412	1406	1500	14W	114
LCO15WO15E40	Fixed Output + Emergency	1412	1406	1500	14W	114
LCO15WO15D40	Digital Dimmable	1412	1406	1500	14W	114
LCO15WO15ED40	Digital Dimmable + Emergency	1412	1406	1500	14W	114
LCO15WO30S40	Digital Dimmable	1412	1406	3000	28W	111
LCO15WO30E40	Fixed Output + Emergency	1412	1406	3000	28W	111
LCO15WO30D40	Digital Dimmable	1412	1406	3000	28W	111
LCO15WO30ED40	Digital Dimmable + Emergency	1412	1406	3000	28W	111
LCO18WO18S40	Fixed Output	1693	1687	1800	17W	106
LCO18WO18E40	Fixed Output + Emergency	1693	1687	1800	17W	106
LCO18WO18D40	Digital Dimmable	1693	1687	1800	17W	106
LCO18WO18ED40	Digital Dimmable + Emergency	1693	1687	1800	17W	106
LCO18WO36S40	Fixed Output	1693	1687	3600	34W	123
LCO18WO36E40	Fixed Output + Emergency	1693	1687	3600	34W	123
LCO18WO36D40	Digital Dimmable	1693	1687	3600	34W	123
LCO18WO36ED40	Digital Dimmable + Emergency	1693	1687	3600	34W	123

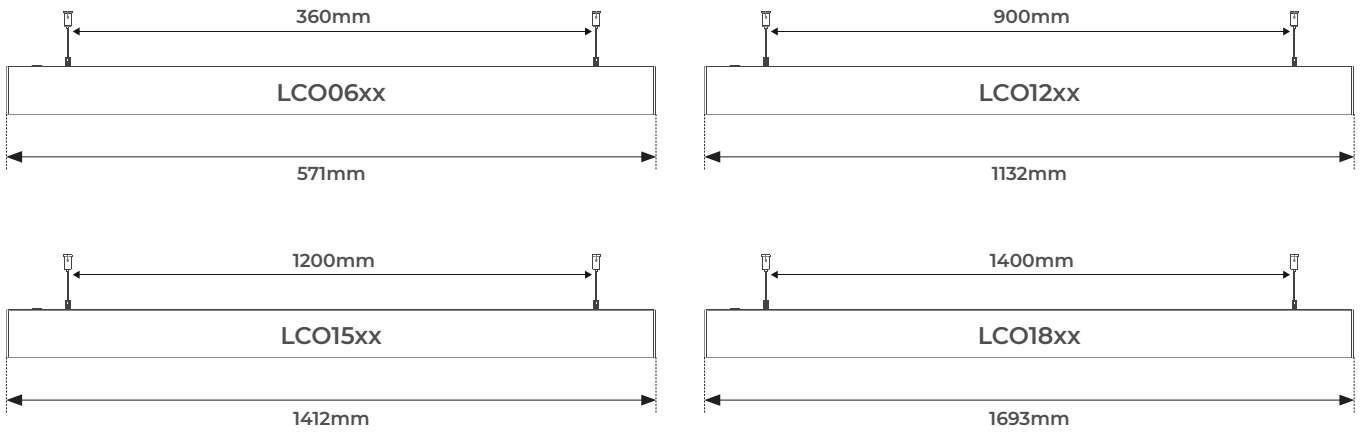
PRODUCT OPTIONS

Lite IP Connectivity	Insert W , eg. LCO15WO15 W 40
Lite IP Connectivity with PIR Sensor	Insert W , eg. LCO15WO15 W 40 PIR

To Specify:

Suspended linear LED lighting system with efficacy up to 109Llm/cW. Precision extruded aluminium modules with polycarbonate opal or microprism diffusers. Provides standalone or continuous smooth lines or angles of light.

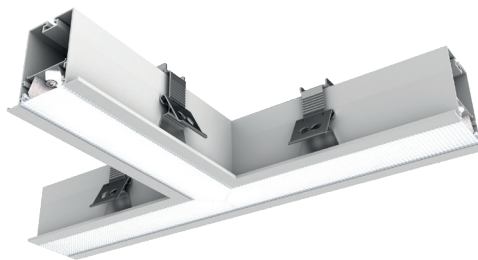
Suspension Fixing Centres



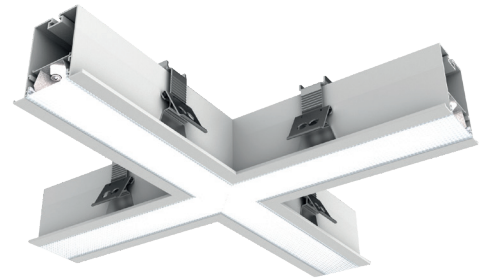
CONNECTORS



LCO9CWO06S40



LCOTCWO09S40



LCOXCWO12S40

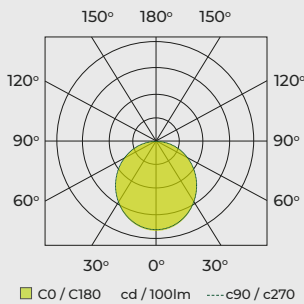
CAT NO.	DRIVER	LENGTH INCL. END CAPS (mm)	LENGTH EXCL. END CAPS (mm)	HEIGHT (mm)	WIDTH (mm)	LUMINAIRE LUMENS	WATTAGE	EFFICACY Llm/cW
90° Connector								
LCO9CWO06S40	Fixed Output	314	314	84	60	600	6W	106
LCO9CWO06D40	Digital Dimmable	314	314	84	60	600	6W	106
LCO9CWO12S40	Fixed Output	314	314	84	60	1200	11W	106
LCO9CWO12D40	Digital Dimmable	314	314	84	60	1200	11W	106
T Connector								
LCOTCWO09S40	Fixed Output	568	314	84	60	900	9W	100
LCOTCWO09D40	Digital Dimmable	568	314	84	60	900	9W	100
LCOTCWO18S40	Fixed Output	568	314	84	60	1800	17W	106
LCOTCWO18D40	Digital Dimmable	568	314	84	60	1800	17W	106
X Connector								
LCOXCWO12S40	Fixed Output	568	568	84	60	1200	12W	100
LCOXCWO12D40	Digital Dimmable	568	568	84	60	1200	12W	100
LCOXCWO24S40	Fixed Output	568	568	84	60	2400	22W	109
LCOXCWO24D40	Digital Dimmable	568	568	84	60	2400	22W	109

LCO12WO24S40

Luminaire Performance

Light Output Ratio: 100%
 Luminaire Efficacy: 104.35lm/W
 Light Distribution: A40 \pm 98.9% \pm 1.1%
 CIE Flux Codes: 47 78 95 99 100
 UGR 4H 8H
 (20%, 50%, 70%) C0 / C90: 25.8 / 25.3

Luminous Intensity

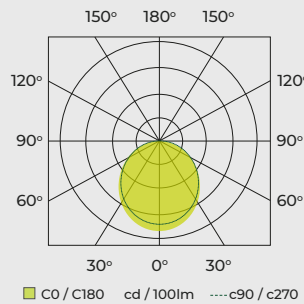


LCO15WO30S40

Luminaire Performance

Light Output Ratio: 100%
 Luminaire Efficacy: 107.14lm/W
 Light Distribution: A40 \pm 98.3% \pm 1.7%
 CIE Flux Codes: 46 77 94 98 100
 UGR 4H 8H
 (20%, 50%, 70%) C0 / C90: 27.7 / 25.2

Luminous Intensity

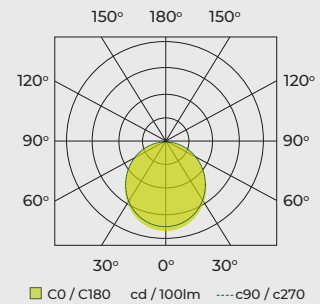


LCO18WO36S40

Luminaire Performance

Light Output Ratio: 100%
 Luminaire Efficacy: 105.88lm/W
 Light Distribution: A40 \pm 98.5% \pm 1.5%
 CIE Flux Codes: 46 77 94 98 100
 UGR 4H 8H
 (20%, 50%, 70%) C0 / C90: 27.3 / 25.4

Luminous Intensity



CAT NO.	WEIGHT (kg)	L FIXING CENTRES (mm)	CRI	SDCM	UGR	IK RATING	FREQUENCY (Hz)	TEMP RANGE (°C)	AMBIENT TEMP RATED LIFE (°C)	L/B RATED LIFE
LCO06WO06S40	1.71	360	>80	<3	<23	IK04	50-60	-20 - +30	25	L80/B10
LCO06WO06D40	1.81	360	>80	<3	<23	IK04	50-60	-20 - +30	25	L80/B10
LCO12WO12S40	3.05	900	>80	<3	<23	IK04	50-60	-20 - +30	25	L80/B10
LCO12WO12E40	3.35	900	>80	<3	<23	IK04	50-60	0 - +30	25	L80/B10
LCO12WO12D40	3.15	900	>80	<3	<23	IK04	50-60	-20 - +30	25	L80/B10
LCO12WO24S40	3.104	900	>80	<3	<23	IK04	50-60	-20 - +30	25	L80/B10
LCO12WO24E40	3.404	900	>80	<3	<23	IK04	50-60	0 - +30	25	L80/B10
LCO12WO24D40	3.204	900	>80	<3	<23	IK04	50-60	-20 - +30	25	L80/B10
LCO15WO15S40	3.692	1200	>80	<3	<26	IK04	50-60	-20 - +30	25	L80/B10
LCO15WO15E40	3.992	1200	>80	<3	<26	IK04	50-60	0 - +30	25	L80/B10
LCO15WO15D40	3.792	1200	>80	<3	<26	IK04	50-60	-20 - +30	25	L80/B10
LCO15WO30S40	3.895	1200	>80	<3	<26	IK04	50-60	-20 - +30	25	L80/B10
LCO15WO30E40	4.195	1200	>80	<3	<26	IK04	50-60	0 - +30	25	L80/B10
LCO15WO30D40	3.995	1200	>80	<3	<26	IK04	50-60	-20 - +30	25	L80/B10
LCO18WO18S40	4.32	1400	>80	<3	<25	IK04	50-60	-20 - +30	25	L80/B10
LCO18WO18E40	4.62	1400	>80	<3	<25	IK04	50-60	0 - +30	25	L80/B10
LCO18WO18D40	4.42	1400	>80	<3	<25	IK04	50-60	-20 - +30	25	L80/B10
LCO18WO36S40	4.603	1400	>80	<3	<25	IK04	50-60	-20 - +30	25	L80/B10
LCO18WO36E40	4.903	1400	>80	<3	<25	IK04	50-60	0 - +30	25	L80/B10
LCO18WO36D40	4.703	1400	>80	<3	<25	IK04	50-60	-20 - +30	25	L80/B10

STANDARD	DESCRIPTION
EN 60598-1	Luminaires – General requirements
EN 60598-2-1	Luminaires – Fixed general purpose
EN 60598-2-22	Luminaires – Emergency
EN 61000-3-2	Electromagnetic compatibility (EMC) – Part 3-2: Limits - for harmonic current emissions
EN 61000-3-3	Limits - Limitation of voltage changes, voltage fluctuations and flicker in public low-voltage supply systems, for equipment with rated current \leq 16 A per phase and not subject to conditional connection
EN 61547	Equipment for general lighting purposes – EMC immunity requirements
EN 55015	Limits and methods of measurement of radio disturbance characteristics of electrical lighting and similar equipment

LUCECO

This luminaire contains built-in LED lamps.

A++
A+
A
C
D
E

LED

The lamps cannot be changed in the luminaire.

874/2012

