

CELESTE

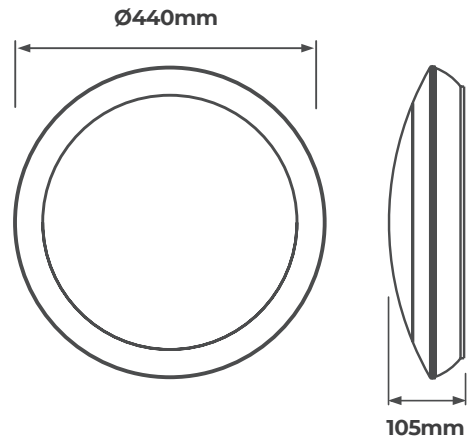
Product Features

- Polycarbonate construction RAL9016 for a robust luminaire suitable for stairways and corridors
- Available in 1250, 2200 & 3200 lumens with an efficacy of up to 143lm/W
- Surface mounted utilising hinged gear tray with optional suspension kit available



CAT NO.	DRIVER	LUMINAIRE LUMENS	WATTAGE	EFFICACY Lm/cW
LBC13S40	Standard	1220	8.5W	143
LBC13E40	Emergency	1220	8.5W	143
LBC13S40MW	Microwave	1220	8.5W	143
LBC13D40	Digital Dimmable	1220	8.5W	143
LBC13ED40	Digital Dim Emerg	1220	8.5W	143
LBC22S40	Standard	2440	17.5W	139
LBC22E40	Emergency	2440	17.5W	139
LBC22S40MW	Microwave	2440	17.5W	139
LBC22D40	Digital Dimmable	2440	17.5W	139
LBC22ED40	Digital Dim Emerg	2440	17.5W	139
LBC32S40	Standard	3290	24.5W	134
LBC32E40	Emergency	3290	24.5W	134
LBC32S40MW	Microwave	3290	24.5W	134
LBC32D40	Digital Dimmable	3290	24.5W	134
LBC32ED40	Digital Dim Emerg	3290	24.5W	134

Product Drawing

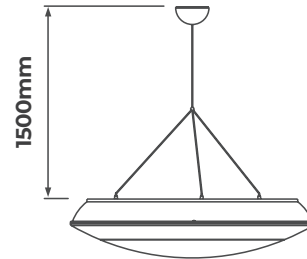


PRODUCT OPTIONS	
Self Test Remote Emergency Pack	Insert EST , eg. LBC13 EST 40
DALI Addressable Emergency Pack	Insert DED , eg. LBC13 DED 40
DALI Emergency Digital Dimmable Wireless	Insert EW , eg. LBC13 EW 40
Lite IP Connectivity	Insert W , eg. LBC13 W 40

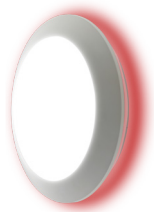
To Specify:

Surface or suspended mounted low profile luminaire. Efficacy up to 143 Llm/cW. polycarbonate body and diffuser with Halo backlit effect and coloured insert accessories available.

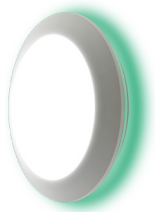
CAT NO.	DESCRIPTION
LBCTBS	Brushed Steel Bezel
LBCTPC	Polished Chrome Bezel
LBCWSK315	3 Point 1.5mtr Suspension Kit
LBCHIRE	Red Halo Insert
LBCHIGR	Green Halo Insert
LBCHIYE	Yellow Halo Insert
LBCHIBL	Blue Halo Insert



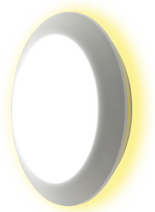
LBCWSK315



LCHIRE



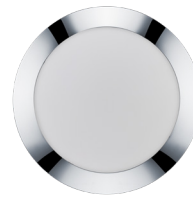
LCHIGR



LCHIYE



LCHIBL



LBCTPC



LBCTBS

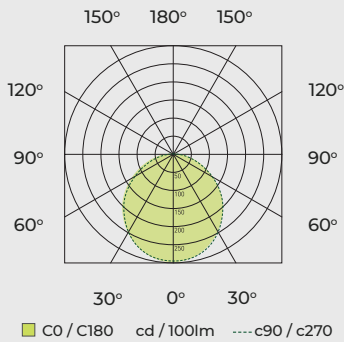
CAT NO.	WEIGHT (kg)	L/R FIXING CENTRES	CRI	SDCM	UGR	IK RATING	TEMP RANGE (°C)	AMBIENT TEMP RATED LIFE (°C)	L/B AT 100KHRS	L/B AT 50KHRS	L/B AT 44KHRS
LBC13S40	2.1	200 + BESA	>80	<3	<16	IK04	-20 to +40	25	L70 / B10	L80 / B10	L90 / B50
LBC13E40	3	200 + BESA	>80	<3	<16	IK04	0 to +40	25	L70 / B10	L80 / B10	L90 / B50
LBC13S40MW	2.3	200 + BESA	>80	<3	<16	IK04	-20 to +40	25	L70 / B10	L80 / B10	L90 / B50
LBC13D40	2.1	200 + BESA	>80	<3	<16	IK04	-20 to +40	25	L70 / B10	L80 / B10	L90 / B50
LBC13ED40	3	200 + BESA	>80	<3	<16	IK04	0 to +40	25	L70 / B10	L80 / B10	L90 / B50
LBC13D40MW	2.2	200 + BESA	>80	<3	<16	IK04	-20 to +40	25	L70 / B10	L80 / B10	L90 / B50
LBC13ED40MW	3.2	200 + BESA	>80	<3	<16	IK04	0 to +40	25	L70 / B10	L80 / B10	L90 / B50
LBC22S40	2.1	200 + BESA	>80	<3	<18	IK04	-20 to +40	25	L70 / B10	L80 / B10	L90 / B50
LBC22E40	3	200 + BESA	>80	<3	<18	IK04	0 to +40	25	L70 / B10	L80 / B10	L90 / B50
LBC22S40MW	2.3	200 + BESA	>80	<3	<18	IK04	-20 to +40	25	L70 / B10	L80 / B10	L90 / B50
LBC22D40	2.1	200 + BESA	>80	<3	<18	IK04	-20 to +40	25	L70 / B10	L80 / B10	L90 / B50
LBC22ED40	3	200 + BESA	>80	<3	<18	IK04	0 to +40	25	L70 / B10	L80 / B10	L90 / B50
LBC22D40MW	2.2	200 + BESA	>80	<3	<18	IK04	-20 to +40	25	L70 / B10	L80 / B10	L90 / B50
LBC22ED40MW	3.2	200 + BESA	>80	<3	<18	IK04	0 to +40	25	L70 / B10	L80 / B10	L90 / B50
LBC32S40	2.1	200 + BESA	>80	<3	<19	IK04	-20 to +40	25	L70 / B10	L80 / B10	L90 / B50
LBC32E40	3	200 + BESA	>80	<3	<19	IK04	0 to +40	25	L70 / B10	L80 / B10	L90 / B50
LBC32S40MW	2.3	200 + BESA	>80	<3	<19	IK04	-20 to +40	25	L70 / B10	L80 / B10	L90 / B50
LBC32D40	2.1	200 + BESA	>80	<3	<19	IK04	-20 to +40	25	L70 / B10	L80 / B10	L90 / B50
LBC32ED40	3	200 + BESA	>80	<3	<19	IK04	0 to +40	25	L70 / B10	L80 / B10	L90 / B50
LBC32D40MW	2.2	200 + BESA	>80	<3	<19	IK04	-20 to +40	25	L70 / B10	L80 / B10	L90 / B50
LBC32ED40MW	3.2	200 + BESA	>80	<3	<19	IK04	0 to +40	25	L70 / B10	L80 / B10	L90 / B50

LBC13S40

Luminaire Performance

Light Output Ratio: 100%
 Luminaire Efficacy: 143lm/W
 Light Distribution: A42 \pm 90.9% \pm 9.1%
 CIE Flux Codes: 45 75 92 91 100
 UGR 4H 8H
 (20%, 50%, 70%) C0 / C90: 18.5 / 19.3

Luminous Intensity

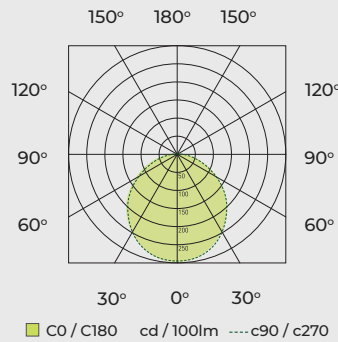


LBC22S40

Luminaire Performance

Light Output Ratio: 100%
 Luminaire Efficacy: 139 lm/W
 Light Distribution: A42 \pm 90.9% \pm 9.1%
 CIE Flux Codes: 45 75 92 91 100
 UGR 4H 8H
 (20%, 50%, 70%) C0 / C90: 19.5 / 20.3

Luminous Intensity



STANDARD	DESCRIPTION
EN 60598-1	Luminaires – General requirements
EN 60598-2-1	Luminaires – Fixed general purpose
EN 60598-2-22	Luminaires – Emergency
EN 61000-3-2	Electromagnetic compatibility (EMC) – Part 3-2: Limits - for harmonic current emissions
EN 61000-3-3	Limits - Limitation of voltage changes, voltage fluctuations and flicker in public low-voltage supply systems, for equipment with rated current \leq 16 A per phase and not subject to conditional connection
EN 61547	Equipment for general lighting purposes – EMC immunity requirements
EN 55015	Limits and methods of measurement of radio disturbance characteristics of electrical lighting and similar equipment

