

LED Lamp Classic 6.5W, 10W



- Using latest LED technology
- 30% energy saving versus CFL's
- Double lifetime versus CFL's
- Dimmable options available

[Click here for more information](#)

2700K
WARM
WHITE

25,000
HOURS

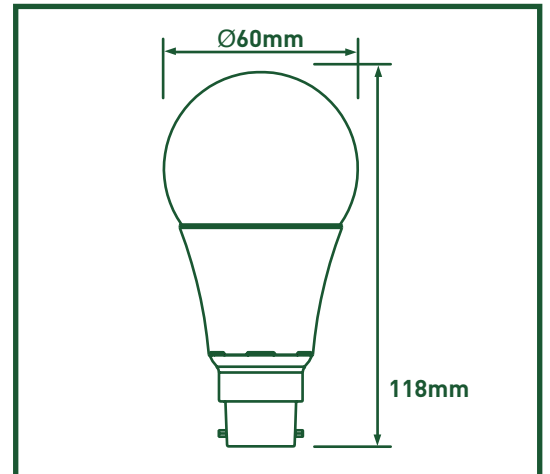
CRI
>80

INSTANT
ON

≥15,000

Mercury
0.0mg
0 Hg

POWER
FACTOR
>0.7



3 year
standard
GUARANTEE

3 year guarantee available in the UK. Rest of the world may vary, please ask your local distributor for more information.

B22

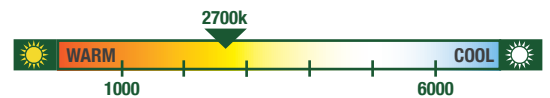
E27

2 cap fitting options

Cat No.	Description	Cap type	Lumens	Wattage	Equivalent wattage	Inner quantity	Outer quantity
---------	-------------	----------	--------	---------	--------------------	----------------	----------------

Box							
LA22W10W81-01	Non-dimmable	B22	810	10W	60W	10	100
LA27W10W81-01	Non-dimmable	E27	810	10W	60W	10	100
LAD22W10W81-01	Dimmable	B22	810	10W	60W	10	100
LAD27W10W81-01	Dimmable	E27	810	10W	60W	10	100

Eco blister							
LA22W6W47-LE	Non-dimmable	B22	470	6.5W	40W	5	50
LA27W6W47-LE	Non-dimmable	E27	470	6.5W	40W	5	50
LA22W10W81-LE	Non-dimmable	B22	810	10W	60W	5	50
LA27W10W81-LE	Non-dimmable	E27	810	10W	60W	5	50
LAD22W10W81-LE	Dimmable	B22	810	10W	60W	5	50
LAD27W10W81-LE	Dimmable	E27	810	10W	60W	5	50



CARBON SAVING

A 6.5W Classic
Uses: **3kg** of CO₂ per 1000hrs compared to a **40W** equivalent:
18kg of CO₂ **SAVING** 15kg of CO₂ per 1000hrs

CARBON SAVING

A 10W Classic
Uses: **4kg** of CO₂ per 1000hrs compared to a **60W** equivalent:
27kg of CO₂ **SAVING** 23kg of CO₂ per 1000hrs

ENERGY LABEL

Y I A A
IE IA

енергия • ενεργεια

A++
A+
A
B
C
D
E

A+

Type	A60
Voltage	AC 230V
Power factor	>0.7
Ignition time	<0.5 sec
Start up time (95%)	<2.0 sec
Switching cycle	>15,000

CE

RoHS
Compliant

Standards		
EN 62560:2012	EN 62471:2008	EN 62493:2010

Tech Help Line
UK - **0845 194 7584**
Non UK - **+44 (0)1952 238 100**

Supplied by Nexus Industries Ltd
Nexus Distribution Centre, Stafford Park 1
Telford, Shropshire, TF3 3BD

Visit our website at
www.luceco.uk