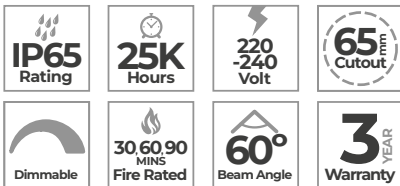


F-ECO FIXED DOWNLIGHT

Product Features

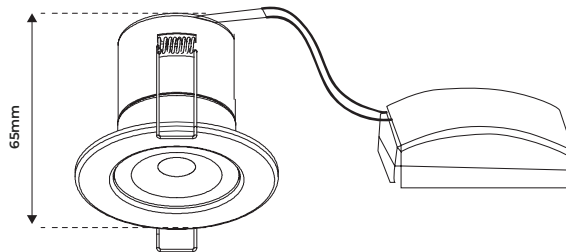
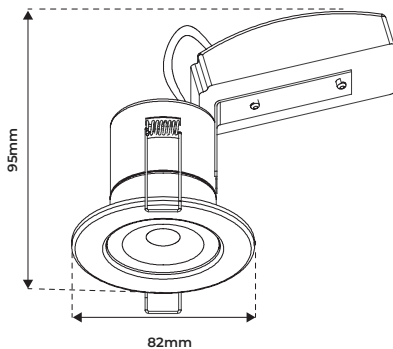
- Fixed fire rated Integrated downlight with insulation coverable clip & fit terminal block
- 450 Lumens with 60 degree beam angle with choice of 3000K and 4000K CCT
- Recessed mounted with spring steel clips allows installation into plasterboard and suspended ceiling systems



| CAT NO. | BEZEL | LUMINAIRE LUMENS | WATTAGE | COLOUR TEMP |
|------------|-----------------|------------------|---------|-------------|
| EFTE45W30 | Gloss White | 450 | 5W | 3000K |
| EFTE45W40 | Gloss White | 450 | 5W | 4000K |
| EFTE45BS30 | Brushed Steel | 450 | 5W | 3000K |
| EFTE45BS40 | Brushed Steel | 450 | 5W | 4000K |
| EFTE45PC30 | Polished Chrome | 450 | 5W | 3000K |
| EFTE45PC40 | Polished Chrome | 450 | 5W | 4000K |



Product Drawing



| CAT NO. | WEIGHT (kg) | EFFICACY Llm/cW | CRI | FREQUENCY (Hz) | TEMP RANGE (°C) | AMBIENT TEMP RATED LIFE (°C) | L/B RATED LIFE |
|------------|-------------|-----------------|-----|----------------|-----------------|------------------------------|----------------|
| EFTE45W30 | 0.22 | 90 | >80 | 50-60 | -25 to +40 | 25 | L70 / B50 |
| EFTE45W40 | 0.22 | 90 | >80 | 50-60 | -25 to +40 | 25 | L70 / B50 |
| EFTE45BS30 | 0.22 | 90 | >80 | 50-60 | -25 to +40 | 25 | L70 / B50 |
| EFTE45BS40 | 0.22 | 90 | >80 | 50-60 | -25 to +40 | 25 | L70 / B50 |
| EFTE45PC30 | 0.22 | 90 | >80 | 50-60 | -25 to +40 | 25 | L70 / B50 |
| EFTE45PC40 | 0.22 | 90 | >80 | 50-60 | -25 to +40 | 25 | L70 / B50 |

| STANDARD | DESCRIPTION |
|--------------|--|
| EN 60598-1 | Luminaires – General requirements |
| EN 60598-2-2 | Luminaires – Recessed |
| EN 61000-3-2 | Electromagnetic compatibility (EMC) – Part 3-2: Limits – for harmonic current emissions |
| EN 61000-3-3 | Limits – Limitation of voltage changes, voltage fluctuations and flicker in public low-voltage supply systems, for equipment with rated current ≤ 16 A per phase and not subject to conditional connection |
| EN 61547 | Equipment for general lighting purposes – EMC immunity requirements |
| EN 55015 | Limits and methods of measurement of radio disturbance characteristics of electrical lighting and similar equipment |

