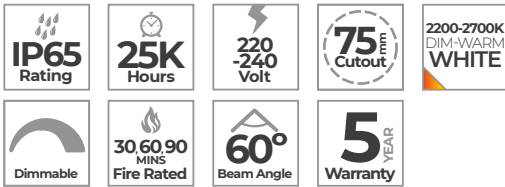


FType DIM2WARM DOWNLIGHT

Product Features

- Dim2Warm technology when dimmed the colour of the light gets warmer representing halogen
- Fully tested to 30, 60 and 90 min fire rating and insulation coverable
- Choice of interchangeable bezel types and finishes
- Fire rated, Acoustic Rated to Part E, Air Leakage rated to Part C and insulation coverable



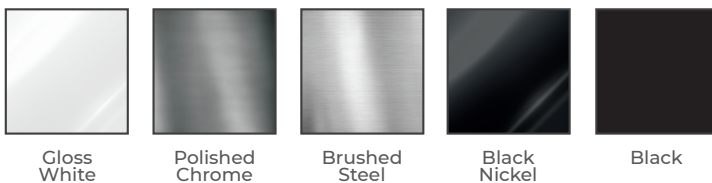
CAT NO.	LUMINAIRE LUMENS	WATTAGE
EFTD2W	460	6W

Product Accessories

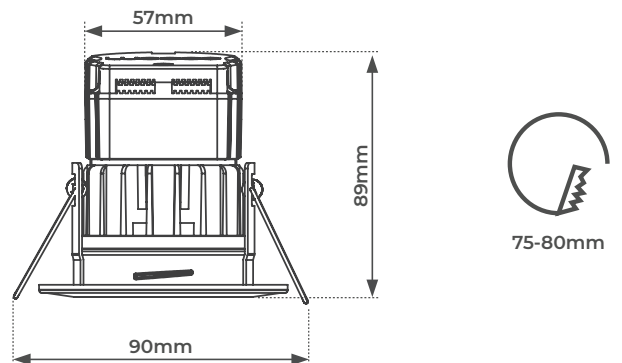
CAT NO.	FINISH	DESCRIPTION
EFTBZFGW	Gloss White	Flat
EFTBZFPC	Polished Chrome	Flat
EFTBZFBFS	Brushed Steel	Flat
EFTBZFBN	Black Nickel	Flat
EFTBZFBK	Black	Flat
EFTBZGW	Gloss White	Bevelled
EFTBZPC	Polished Chrome	Bevelled
EFTBZBS	Brushed Steel	Bevelled
EFTBZBN	Black Nickel	Bevelled
EFTBZBK	Black	Bevelled
EFTBZAPWH	Matt White	Adaptor Plate*

*To fit with existing cutouts of 95-165 diameter

Bezels



Product Drawing



CAT NO.	WEIGHT (kg)	EFFICACY (Llm/W)	CRI	FREQUENCY (Hz)	TEMP RANGE	AMBIENT TEMP RATED LIFE	L/B RATED LIFE	CUT OUT (mm)
EFTD2W	0.26	100	≥83	50-60	-25 to 40	25	L70/B50	75-80

STANDARD	DESCRIPTION
EN 60598-1	Luminaires – General requirements
EN 60598-2-2	Luminaires – Recessed
EN 61000-3-2	Electromagnetic compatibility (EMC) – Part 3-2: Limits – for harmonic current emissions
EN 61000-3-3	Limits – Limitation of voltage changes, voltage fluctuations and flicker in public low-voltage supply systems, for equipment with rated current ≤ 16 A per phase and not subject to conditional connection
EN 61547	Equipment for general lighting purposes – EMC immunity requirements
EN 55015	Limits and methods of measurement of radio disturbance characteristics of electrical lighting and similar equipment



LUCECO

This luminaire contains built-in LED lamps.

The lamps cannot be changed in the luminaire.

874/2012