

Essence MULTI-POSITION SECURITY FLOODLIGHT



Rotatable Ball Joint Bracket

Product Features

- Innovative Fit & Tilt multi-position ball joint for perfect directional focus – increase security lighting up those difficult to reach areas
- 2-part installation bracket for easy access quick & simple installation
- IP65 Corrosion-resistant die cast aluminium housing with tempered glass
- Pre-wired 1m H05RN-F rubber cable
- High efficiency 120lm/W long-life LED chips
- CRI 80 – suitable for use with CCTV
- Equivalent light to traditional halogen – 90% energy savings
- Suitable for residential or commercial outdoor security lighting
- Perfect for driveways, gardens, patios, entrance and walkways
- PIR version with dusk-till-dawn override – Time & Lux adjustable



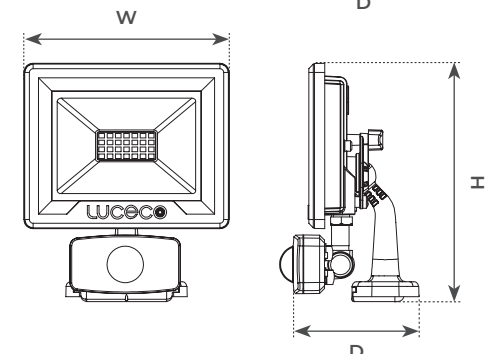
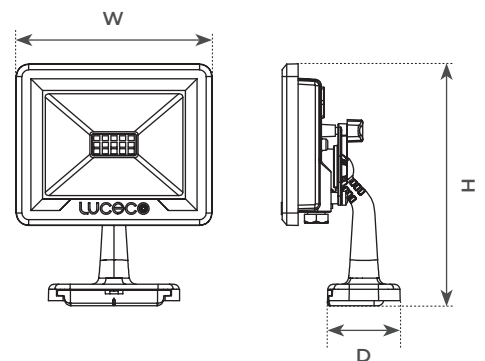
PIR VERSION

CAT NO.	TYPE	LUMINAIRE LUMENS	LED CHIP LUMENS	WATTAGE	LED CHIP lm/W
EFLD10B40-06	NON-PIR	1050	1200	10W	120
EFLD20B40-06	NON-PIR	2100	2400	20W	120
EFLD30B40-06	NON-PIR	3150	3600	30W	120
EFLD50B40-06	NON-PIR	5250	6000	50W	120
EFLD10B40P-06	PIR	1050	1200	10W	120
EFLD20B40P-06	PIR	2100	2400	20W	120
EFLD30B40P-06	PIR	3150	3600	30W	120
EFLD50B40P-06	PIR	5250	6000	50W	120

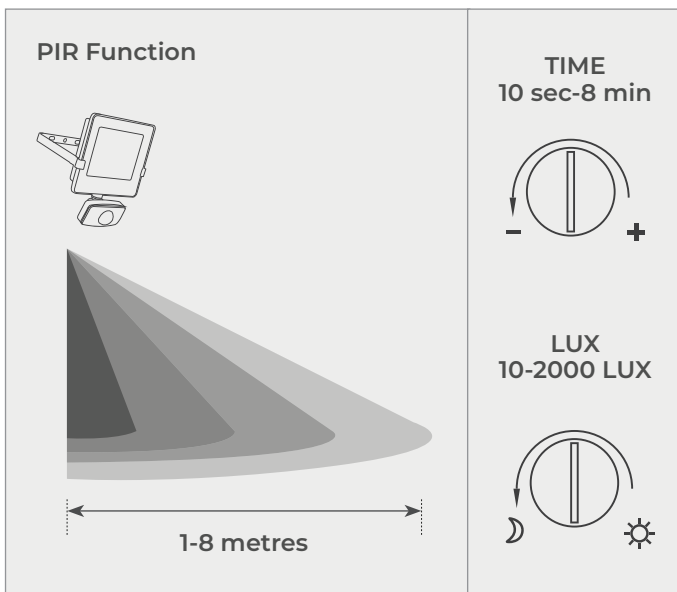
Product Dimensions

CAT NO.	WIDTH (mm)	HEIGHT (mm)	DEPTH (mm)
EFLD10B40-06	114	140	69
EFLD20B40-06	129	150	70
EFLD30B40-06	144	161	70
EFLD50B40-06	184	193	70
EFLD10B40P-06	114	140	88
EFLD20B40P-06	129	150	88
EFLD30B40P-06	144	161	88
EFLD50B40P-06	184	193	88

Product Drawing



CAT NO.	WEIGHT (kg)	EFFICACY (Llm/W)	CRI	FREQUENCY (Hz)	IK RATING	TEMP RANGE	AMBIENT TEMP RATED LIFE (°C)	L/B RATED LIFE
EFLD10B40-06	0.28	105	≥80	50	IK06	-20 to +45	25	70/50
EFLD20B40-06	0.325	105	≥80	50	IK06	-20 to +45	25	70/50
EFLD30B40-06	0.395	105	≥80	50	IK06	-20 to +45	25	70/50
EFLD50B40-06	0.605	105	≥80	50	IK06	-20 to +45	25	70/50
EFLD10B40P-06	0.325	105	≥80	50	IK06	-20 to +45	25	70/50
EFLD20B40P-06	0.385	105	≥80	50	IK06	-20 to +45	25	70/50
EFLD30B40P-06	0.445	105	≥80	50	IK06	-20 to +45	25	70/50
EFLD50B40P-06	0.650	105	≥80	50	IK06	-20 to +45	25	70/50



STANDARD	DESCRIPTION
60598-1	Luminaire – General requirements
60598-2-5	Luminaire – Floodlights
61000-3-2	Electromagnetic compatibility (EMC) – Part 3-2: Limits – for harmonic current emissions
61000-3-3	Lamp control gear – Part 1: General and safety requirements
61547	Equipment for general lighting purposes – EMC immunity requirements
55015	Limits and methods of measurement of radio disturbance characteristics of electrical lighting and similar equipment

