

ECO EXTRA LUXPANEL 600x600

Product Features

- Backlit LED technology with slimline 30mm depth finished in RAL9016
- Plug and play loop in-loop out driver
- 600 x 600mm white aluminium frame with TPb rated diffuser and UGR19 compliant
- Recessed mounted suitable for use in 15mm or 24mm standard exposed ceiling grids



CAT NO.	DRIVER	LUMINAIRE LUMENS	WATTAGE	EFFICACY Lm/cW
EBX66W28S40	Fixed Output	2800	22W	127
EBX66W28D40	Digital Dimmable	2800	22W	127
EBX66W35S40	Fixed Output	3500	27W	130
EBX66W35D40	Digital Dimmable	3500	27W	130

To Specify:

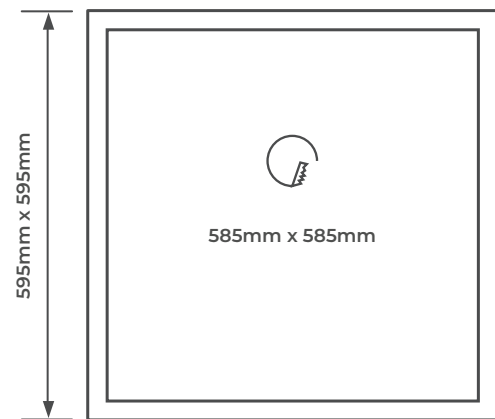
Recessed Eco Extra Luxpanel with efficacy of upto 130lm/cW, aluminium frame and TPb diffuser. UGR19 compliant for low glare applications. Suitable for use in exposed grid ceilings.

PRODUCT OPTIONS	
Remote Emergency Pack	LED3EP80
Self Test Remote Emergency Pack	LED3EP80EST
DALI Addressable Emergency Pack	LED3EP80DED
Lite IP Connectivity	Insert W , eg. EBX66W35W40
Lite IP Connectivity with PIR Sensor	Insert W , eg. EBX66W35W40PIR

Product Accessories

CAT NO.	DESCRIPTION
LPF66SCRF	Recess frame
EBPWSK415	Wire suspension kit

Product Drawing

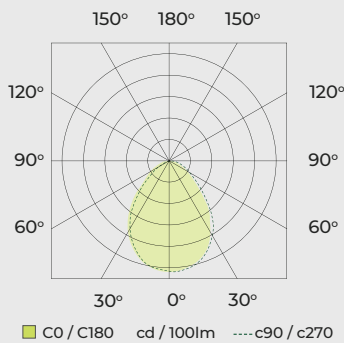


CAT NO.	WEIGHT (kg)	INPUT CURRENT	CRI	FREQUENCY (Hz)	SDCM	UGR	TEMP RANGE (°C)	AMBIENT TEMP RATED LIFE (°C)	L/B RATED LIFE
EBX66W28S40	1.6	600mA	>80	50-60	<3	<19	-20 to +25	25	L70 / B10
EBX66W28D40	1.7	600mA	>80	50-60	<3	<19	-20 to +25	25	L70 / B10
EBX66W35S40	1.6	700mA	>80	50-60	<3	<19	-20 to +25	25	L70 / B10
EBX66W35D40	1.7	700mA	>80	50-60	<3	<19	-20 to +25	25	L70 / B10

EBX66W28S40 Luminaire Performance

Luminaire efficiency: 100%
 Luminaire efficacy: 127.27 lm/W
 Classification: A50 ±100.0% ±0.0%
 CIE Flux Codes: 62 88 97 100 100
 UGR 4H 8H: 16.2 / 15.4
 Power: 22 W
 Luminous flux: 2800 lm
 Dimensions: 595 mm x 595 mm x 0.0 mm

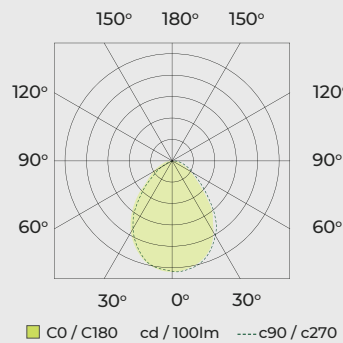
Luminous Intensity




EBX66W35S40 Luminaire Performance

Luminaire efficiency: 100%
 Luminaire efficacy: 129.63 lm/W
 Classification: A50 ±100.0% ±0.0%
 CIE Flux Codes: 62 88 97 100 100
 UGR 4H 8H: 17.0 / 16.2
 Power: 27 W
 Luminous flux: 3500 lm
 Dimensions: 595 mm x 595 mm x 0.0 mm

Luminous Intensity



LUCECO

 This luminaire contains built-in LED lamps.

A++

A+

A

~~C~~


~~D~~

~~E~~

}

LED

The lamps cannot be changed in the luminaire.

874/2012 

STANDARD	DESCRIPTION
EN 60598-1	Luminaires – General requirements
EN 60598-2-2	Luminaires – Recessed
EN 60598-2-22	Luminaires – Emergency
EN 61000-3-2	Electromagnetic compatibility (EMC) – Part 3-2: Limits - for harmonic current emissions
EN 61000-3-3	Limits - Limitation of voltage changes, voltage fluctuations and flicker in public low-voltage supply systems, for equipment with rated current ≤ 16 A per phase and not subject to conditional connection
EN 61547	Equipment for general lighting purposes – EMC immunity requirements
EN 55015	Limits and methods of measurement of radio disturbance characteristics of electrical lighting and similar equipment

