



TECHNICAL DATA SHEET: LE2ST100-RO TILT & TURN TV WALL MOUNT

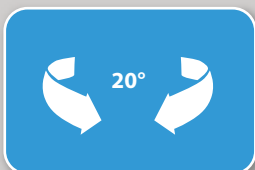
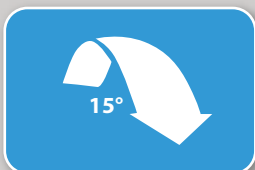
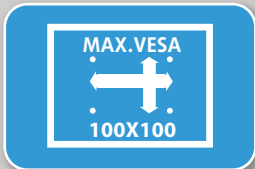
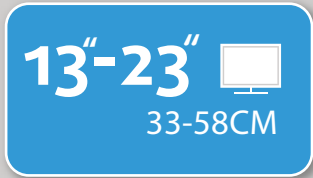
The Essentials Series is a range of **simple**, no-fuss **TV mounts** that offer **fully-featured**, easy to use **functionality** at price points that represent **excellent value for money**.

The range is carefully tailored to cover all **LCD, LED and Plasma TV mounting requirements**.

Our designs offer **reduced package size for improved shipping fills**, reducing your carbon footprint. The product packaging also offers easy **merchandising** with simple to shop communicative icons.

Features:

- Low profile design for picture style mounting
- Easy slide on installation
- Tool free adjustment of tilt action



Technical Specifications:

Max Load	Distance from wall (Folded)	Distance from wall (Extended)	Swivel Range	Tilt Range	No of Articulation Points	Mounting Pattern	VESA Compatible
20Kg/ 44lbs	55mm/ 2.2"	n/a n/a	+/-20°	+15/-5°	2	Single Stud & Solid Wall	75x75 to 100x100



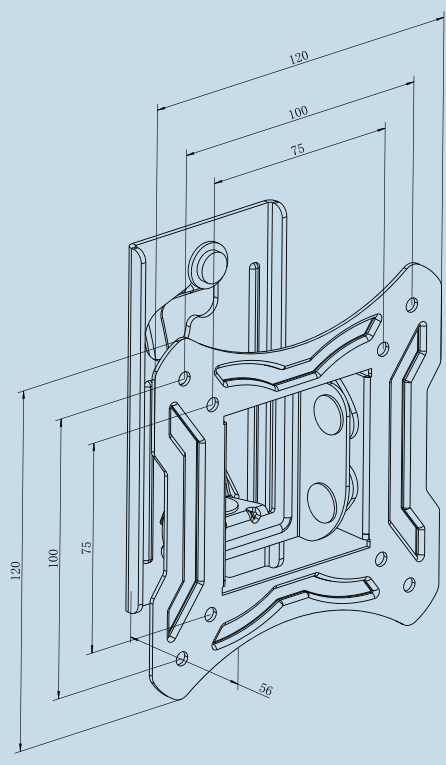


DIMENSIONS & SPECIFICATIONS SHEET: LE2ST100-RO TILT & TURN TV WALL MOUNT

Packed image



Line drawing



All dimensions are in mm

Packaging Information:

Product Number	Description	Product Packaging		Outer Packaging		
		Type	Barcode	Type	Qty in Box	Barcode
LE2ST100-RO	Turn & Tilt TV Wall Mount	Colour Gift Box	5015056 538242	Brown Outer with Label	8	05015056 540429

Weight & Dimensions:

Product			Product Box			Outer Box		
Extended	Folded	Net Weight	Dimensions	Gross Weight	Cubic	Dimensions	Gross Weight	Cubic
14 x 12.5 x 5.5 cm	n/a	0.41kg	15.5 x 13 x 5.5 cm	0.07kg	0.0011m ³	27 x 24.5 x 16.3 cm	4.065kg	0.0108m ³
5.51" x 4.92" x 2.17"	n/a	0.902lbs	6.10" x 5.12" x 2.17"	0.15lbs	0.0391ft ³	10.63" x 9.65" x 6.42"	8.943lbs	0.3808ft ³