



# Technical Data

## Main Switch Consumer Units - Unpopulated

### Description:

This range of all metal consumer units offer a flexible solution for the 17th Edition Wiring Regulation Amendment 3.

Available in a number of sizes from 6 way to 20 way, these consumer units will suit all applications. Each unit has an integrated spirit level, aiding installing without additional tools.

Supplied with 100A Main Switch. Each unit is supplied with busbar, label sheet, 2 cover blanks and instructions. The rest of the unit is unpopulated. Fully populated models are also available.

MCBs, RCDs, and control devices can be fitted into the consumer units. The 6 way and the 10 way products have a taller design, allowing RCBOs to be fitted quickly and easily, with greater wiring space.

Lockable Covers available in the range, please contact BG for more information.

### Product Images



### Product Options

Cat No.	Description	Modules	Switch	Max Number of Ways	Max Total
CFSW06*	6 way with 100A switch	8	6	6	6
CFSW10*	10 way with 100A switch	12	10	10	10
CFSW14	14 way with 100A switch	16	14	14	14
CFSW17	17 way with 100A switch	19	17	17	17
CFSW20	20 way with 100A switch	22	20	20	20

Note: \* denotes a taller consumer unit design

### Technical Specifications

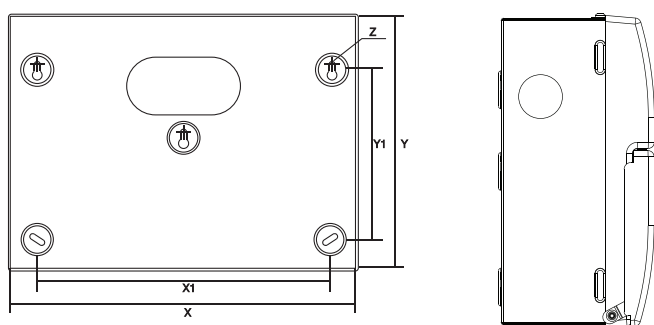
Standard (s)	All metal consumer units comply with 17th Edition Wiring Regulations BS 7671 Amendment 3 Consumer Unit: BS EN 61439-3 Main Switch: EN / IEC 60947-3
Max Current Rating	100A
Operating Voltage	230V AC 50Hz
Short Current Withstand	16kA rms
IP Rating	IP2XC
Installation	Indoor
Material	Steel
Finish	White gloss (matches BG white accessories)
UV Stability	Yes
Cover Blanks	Each unit supplied with 2x cover blanks
Main Switch Terminal	35mm <sup>2</sup> capacity
Main Switch Torque	2.5 Nm

# Main Switch Consumer Units - Unpopulated

## Knockouts

Product	Top & Bottom Face	Sides	Base
8 Module	6 x ø20mm 1 x ø32mm	1x ø32mm	1 x ø50 x 100mm
12 Module	8 x ø20mm 1 x ø32mm	1x ø32mm	1 x ø50 x 100mm
16 Module	9 x ø20mm 2 x ø32mm	1x ø32mm	2 x ø50mm 1 x ø50 x 100mm
19 Module	11 x ø20mm 2 x ø32mm	1x ø32mm	2 x ø50mm 1 x ø50 x 100mm
22 Module	13 x ø20mm 2 x ø32mm	1x ø32mm	3 x ø50 x 100mm

## Line Diagrams



## Consumer Unit Sizes

Cat No.	Dimensions (mm)			Fixing Centres (mm)		
	X	Y	Depth	X1	Y1	Z
CFSW06	243	261	115	186	180	ø5.5
CFSW10	315	261	115	258	180	ø5.5
CFSW14	389	231	115	330	180	ø5.5
CFSW17	443	231	115	384	180	ø5.5
CFSW20	497	231	115	438	180	ø5.5

## Packaging Information

Cat No.	Description	Packaging Type			Pack Quantity			Barcode		
		Product	Inner Box	Outer Box	Each	Inner Box	Outer Box	Individual	Inner Box	Outer Box
CFSW06	6 way	Box	-	-	1	-	-	5050765119870	-	-
CFSW10	10 way	Box	-	-	1	-	-	5050765119900	-	-
CFSW14	14 way	Box	-	-	1	-	-	5050765119986	-	-
CFSW17	17 way	Box	-	-	1	-	-	5050765120050	-	-
CFSW20	20 way	Box	-	-	1	-	-	5050765120104	-	-

## Weights & Dimensions

Cat No.	Description	Dimension (W x L x H) cm			Weight (kg)			CMB (m <sup>3</sup> )
		Product	Inner Box	Outer Box	Each	Inner Box	Outer Box	Outer Box
CFSW06	6 way	24.3x26.1 x 11.5	-	-	2.82	-	-	-
CFSW10	10 way	31.5x26.1 x 11.5	-	-	3.43	-	-	-
CFSW14	14 way	38.9x23.1 x 11.5	-	-	3.86	-	-	-
CFSW17	17 way	44.3x23.1 x 11.5	-	-	4.34	-	-	-
CFSW20	20 way	49.7x23.1 x 11.5	-	-	4.73	-	-	-