



AVANTLED2

Vantage CCT 2 Downlight



Features

CCT selectable LED performance downlight suitable for commercial and education applications

Deep cut-off angle for glare control and comfort

One product provides 3000K, 4000K and 6500K colour temperature options

Downlight design allows installation into existing hole cut-outs from 68mm to 100mm

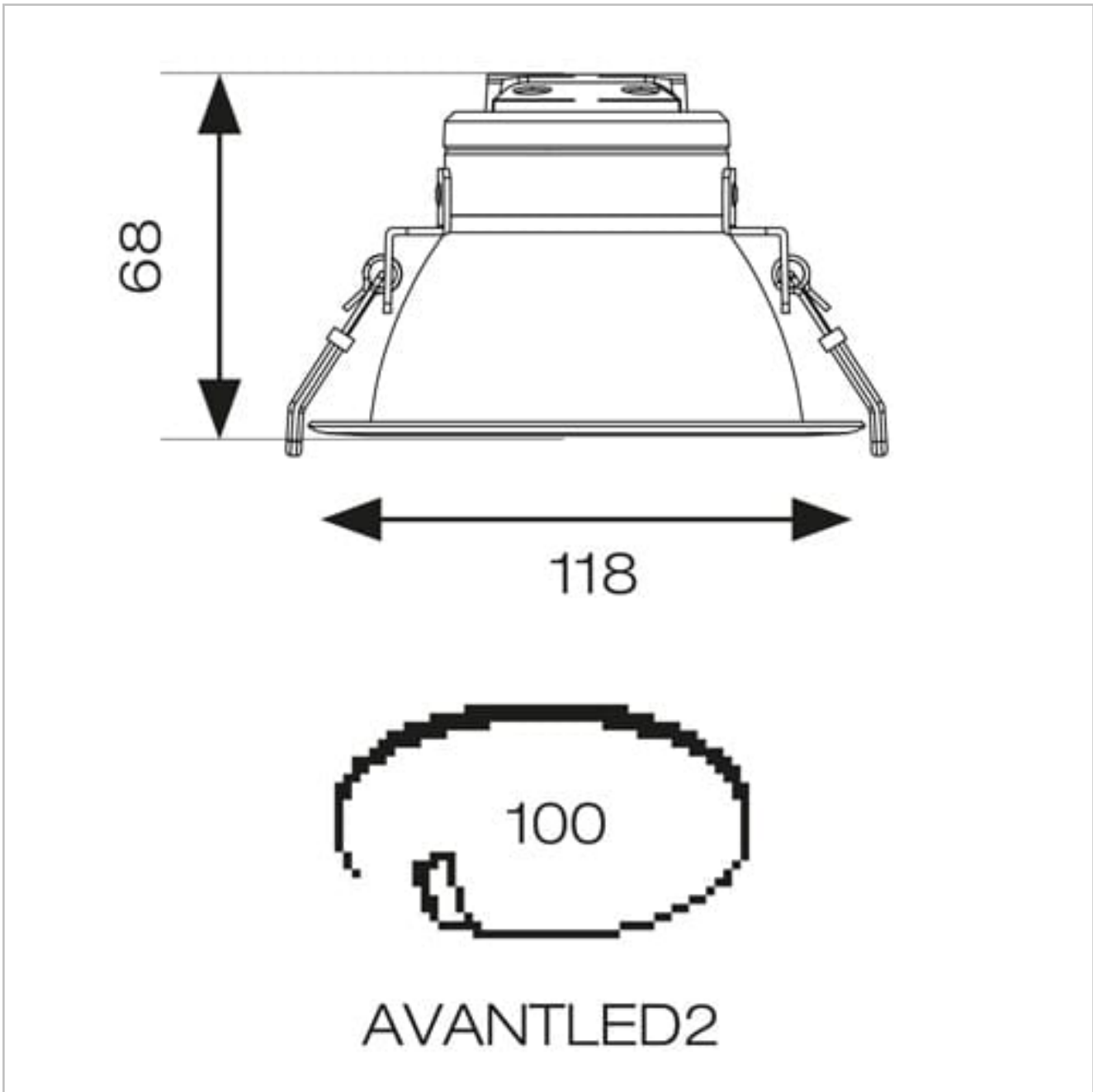
Powered by Tridonic

General Information

Lamp Type	LED
Colour / Finish	White
Bluetooth Enabled	Yes
IP Rating	IP20
Class Protection	2
Internal / External	Internal
Surface / Recessed / Suspended	Recessed
Lifetime (Hrs)	L80 B10 60,000h
Warranty (Years)	5
CE Mark	Yes
Diameter (mm)	118 mm
Height (mm)	68 mm

Technical Information

Wattage	14W
Lumens Delivered	1400lm (4000K)
Lm/W	113lm/W (4000K)
Beam Angle	75
CRI	80
CCT	3000/4000/6000K
Input	220/240V
Hertz	50/60Hz
Operating Temp	-25°C to 40°C
SDCM	6
UGR	26



Datasheet generated from <https://onetimepim.com> last updated Thursday, October 6, 2022 8:27:00 AM