



## **AVANTLED1/SM3**

Vantage CCT 1 Downlight Self-test Emergency



### **Features**

CCT selectable LED performance downlight suitable for commercial and education applications

Deep cut-off angle for glare control and comfort

One product provides 3000K, 4000K and 6500K colour temperature options

Downlight design allows installation into existing hole cut-outs from 68mm to 100mm

Powered by Tridonic

## General Information

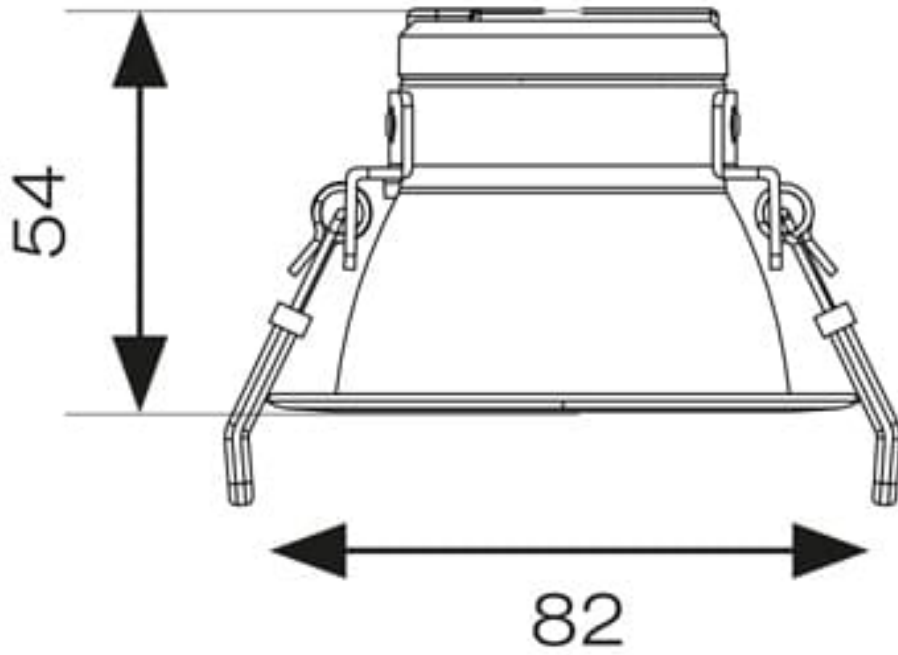
Lamp Type	LED
Colour / Finish	White
Emergency	Yes
Self Test	Yes
Bluetooth Enabled	Yes
IP Rating	IP20
Class Protection	2
Internal / External	Internal
Surface / Recessed / Suspended	Recessed
Lifetime (Hrs)	L80 60,000h
Warranty (Years)	5
CE Mark	Yes
Diameter (mm)	82 mm
Height (mm)	54 mm

# Technical Information

<b>Wattage</b>	8.5W
<b>Lumens Delivered</b>	740lm (4000K)
<b>Lm/W</b>	107lm/W (4000K)
<b>Beam Angle</b>	75
<b>CRI</b>	80
<b>CCT</b>	3000/4000/6500K
<b>Input</b>	220/240V
<b>Hertz</b>	50/60Hz
<b>Operating Temp</b>	-25°C to 40°C
<b>SDCM</b>	6
<b>UGR</b>	27

Datasheet generated from <https://onetimepim.com> last updated Thursday, October 13, 2022 10:01:18 PM





AVANTLED1