

ATRILED/B

Tridon CCT Black



Features

IP66 rated die-cast aluminium wall light with opal polycarbonate diffuser suitable for commercial, hospitality and industrial applications

Internal CCT selector switch allows the installer to choose the CCT between 3000K and 4000K at the point of installation

Rear fixing points allowing the option for BESA box mounting

Horizontal side pilot holes accepting 20mm surface conduit entries

Tamper-proof stainless steel allen key screws

Microwave sensor and Photocell options available

Non-dimmable

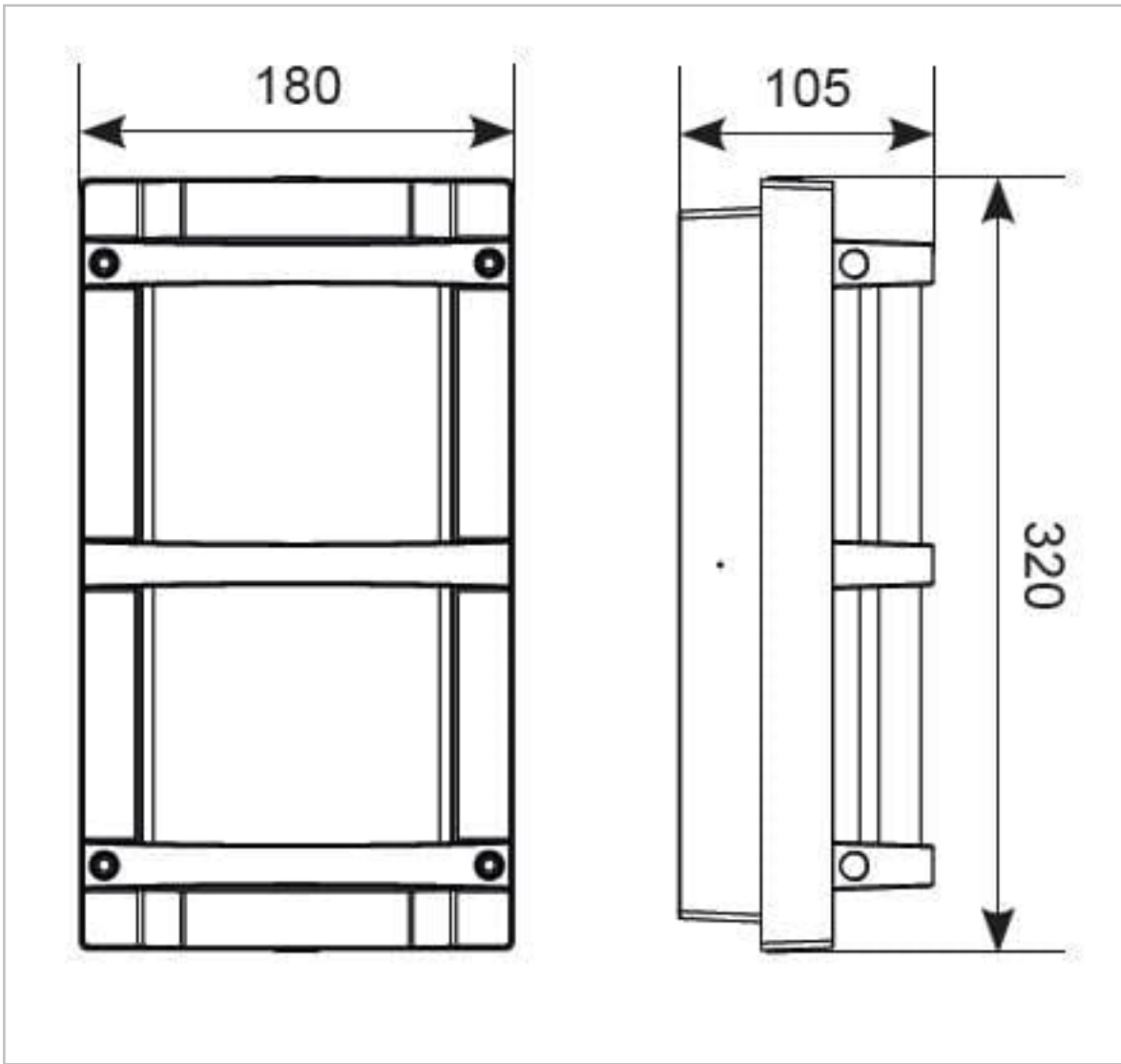
Powered by Tridonic

General Information

Lamp Type	LED
Colour / Finish	Black
IP Rating	IP66
IK Rating	IK09
Class Protection	1
Internal / External	External
Surface / Recessed / Suspended	Surface
Lifetime (Hrs)	L70 60,000h
Warranty (Years)	5
CE Mark	Yes
Width (mm)	180 mm
Height (mm)	320 mm
Depth (mm)	105 mm

Technical Information

Wattage	8W
Lumens Delivered	700lm (4000K)
Lm/W	88lm/W (4000K)
Beam Angle	120
CRI	80
CCT	3000/4000K
Input	220/240V
Hertz	50/60Hz
Operating Temp	-20°C to 25°C
SDCM	5



Datasheet generated from <https://onetimepim.com> last updated Thursday, October 6, 2022 8:27:06 AM