



AROLEDSSS

Rondo HP Surface/Spike Light



Features

High performance LED feature light suitable for hospitality and retail applications

Suitable for surface or spike mounting (spike accessory included)

60° beam angle

Die-cast aluminium construction with textured graphite paint finish

Pre-wired with 2 metres of H07RN-F cable

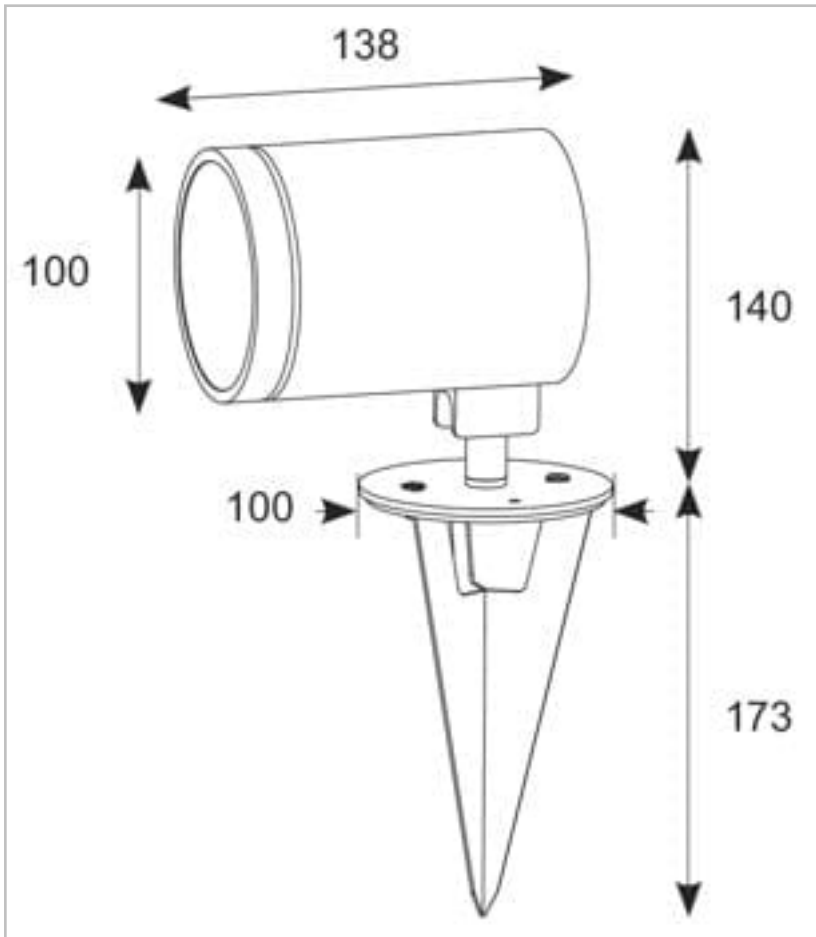
Non-dimmable

General Information

| | |
|--------------------------------|-------------|
| Lamp Type | LED |
| Colour / Finish | Graphite |
| IP Rating | IP65 |
| Class Protection | 1 |
| Internal / External | External |
| Surface / Recessed / Suspended | Surface |
| Diffuser Rating | Tp(a) |
| Lifetime (Hrs) | L70 50,000h |
| Warranty (Years) | 3 |
| CE Mark | Yes |
| Length (mm) | 138 mm |
| Width (mm) | 100 mm |
| Height (mm) | 140 mm |

Technical Information

| | |
|------------------|---------------|
| Wattage | 17W |
| Lumens Delivered | 1500lm |
| Lm/W | 88lm/W |
| Beam Angle | 40 |
| CRI | 80 |
| CCT | 4000K |
| Input | 220/240V |
| Hertz | 50/60Hz |
| Operating Temp | -20°C to 40°C |
| SDCM | 6 |



Datasheet generated from <https://onetimepim.com> last updated Thursday, October 6, 2022 8:27:09 AM