



AOSLED/3M/ST

Osprey High Rack Bulkhead Lithium Maintained / Non-Maintained



Features

Modern slim profile IP65 LED polycarbonate bulkhead

Compact high polished reflector design to provide required light level from high mounting heights

High performance LED's and optical performance allows increased spacing ratios

Self-test as standard

Aesthetically designed for modern appearance

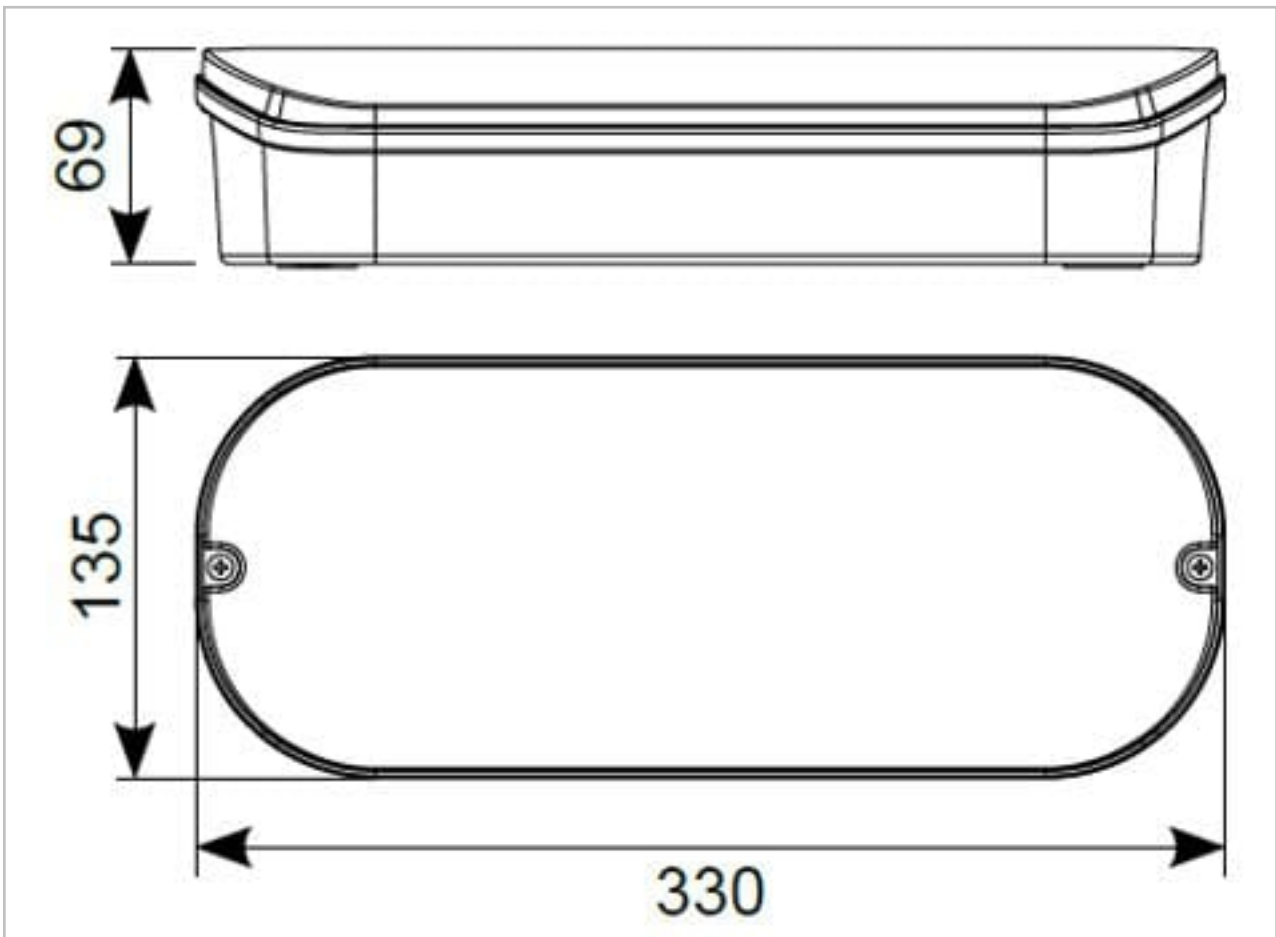
20mm side and rear cable entries

General Information

Lamp Type	LED
Colour / Finish	White
Emergency	Yes
Self Test	Yes
IP Rating	IP65
IK Rating	IK08
Class Protection	1
Internal / External	Internal / External
Surface / Recessed / Suspended	Surface
Lifetime (Hrs)	L70 50,000h
Warranty (Years)	5
CE Mark	Yes
Length (mm)	330 mm
Width (mm)	135 mm
Height (mm)	69 mm
Accessories	ASBP/15/LI

Technical Information

Wattage	8.3W
Lumens Delivered	405lm (Emergency), 550lm (Standard)
Beam Angle	60/100
CRI	70
CCT	6500K
Input	220/240V
Hertz	50/60Hz
Operating Temp	0°C to 40°C
SDCM	6



Datasheet generated from <https://onetimepim.com> last updated Thursday, October 6, 2022 8:27:18 AM