



AMATB/EYE

Mattone Bricklight CCT Eyelid



Features

Universal polycarbonate LED bricklight suitable for residential and hospitality applications

Plain frame or eyelid option

Unique adjustable feet allows for installation into multiple brick apertures

Polycarbonate construction ideal for coastal applications

Pre-wired with 500mm of rubber insulated cable

Supplied c/w installation housing for additional protection and ease of installation

CCT selectable between 3000K and 4000K

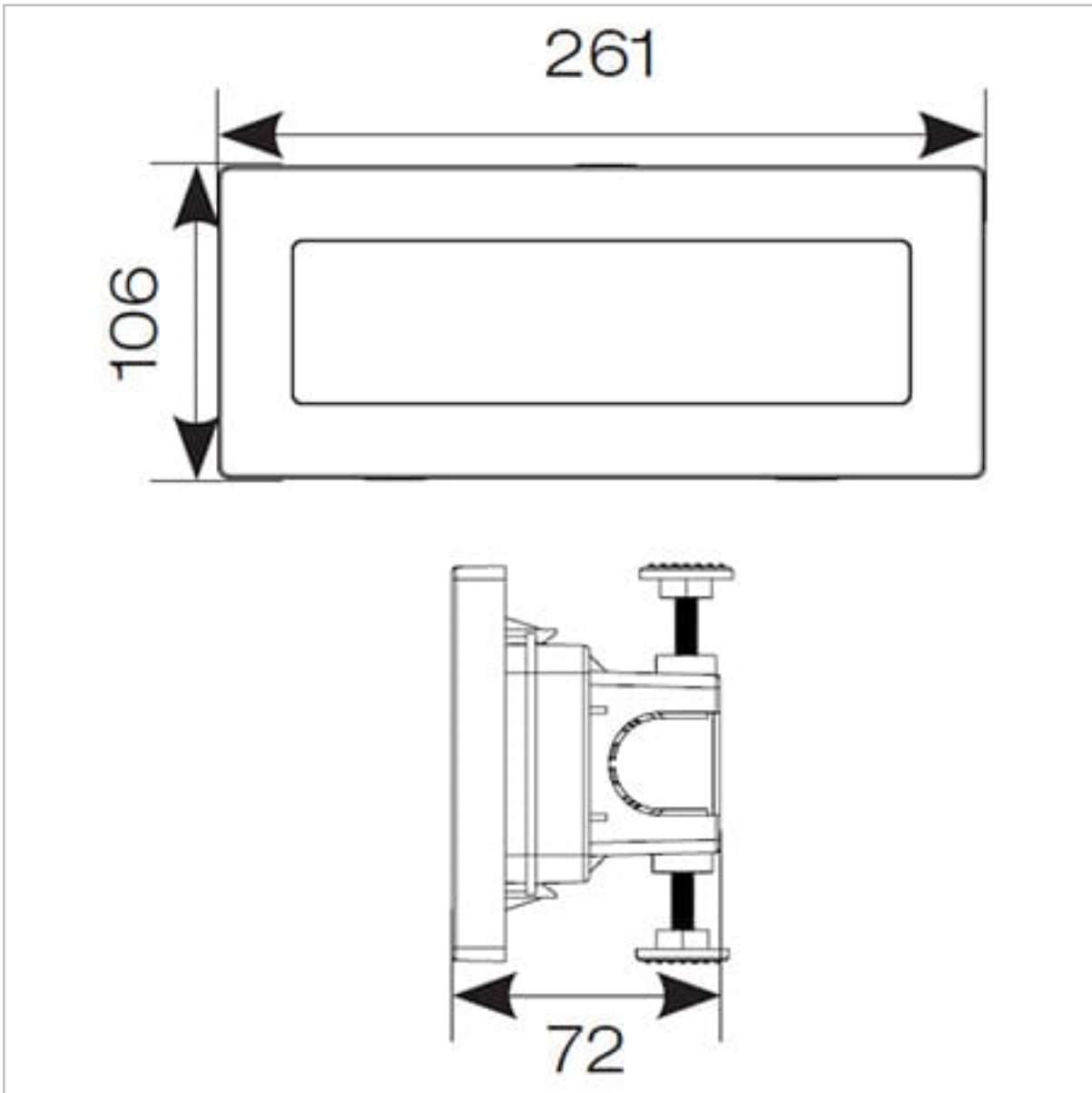
Non-dimmable

General Information

Lamp Type	LED
Colour / Finish	Black
IP Rating	IP65
IK Rating	IK06
Class Protection	2
Internal / External	External
Surface / Recessed / Suspended	Recessed
Lifetime (Hrs)	L70 54,000
Warranty (Years)	3
CE Mark	Yes
Width (mm)	261 mm
Height (mm)	106 mm
Depth (mm)	72 mm

Technical Information

Wattage	2W
Lumens Delivered	101lm (4000K)
Lm/W	51lm (4000K)
Beam Angle	100
CRI	Ra 80
CCT	3000/4000K
Input	230V
Hertz	50Hz
Operating Temp	-10°C to 40°C
SDCM	6



Datasheet generated from <https://onetimepim.com> last updated Thursday, October 6, 2022 8:27:07 AM