



ALUCLED/B/PC

Lucca CCT Multi Wattage Photocell Black



Features

IP66 rated die-cast aluminium wall light with opal polycarbonate diffuser suitable for education, commercial and industrial applications

Tamper-proof stainless steel allen key screws

One product with integral switches for multi-wattage and selectable CCT options

Non-dimmable

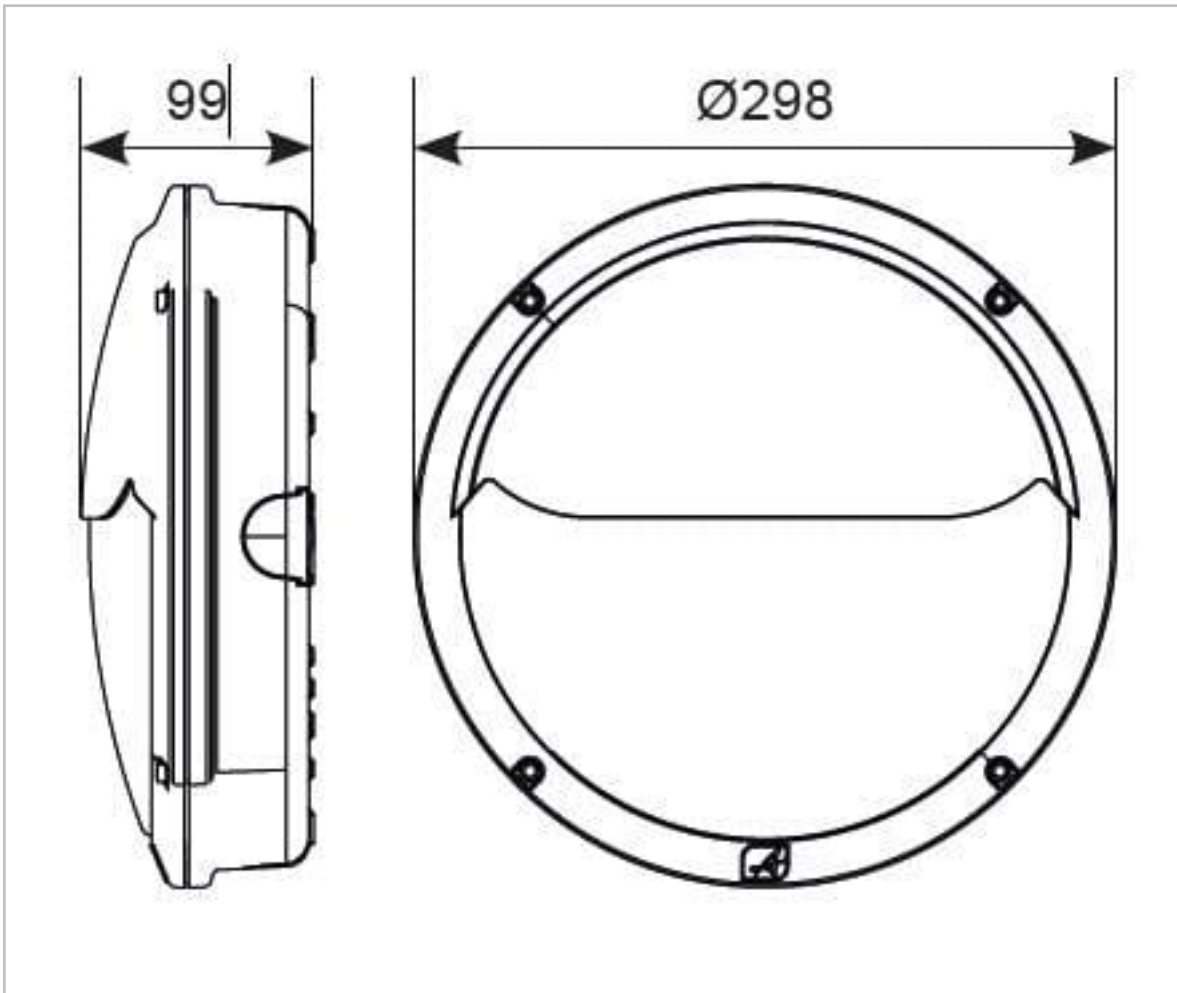
Powered by Tridonic

General Information

Lamp Type	LED
Colour / Finish	Black
Photocell	Yes
IP Rating	IP66
IK Rating	IK08
Class Protection	1
Internal / External	External
Surface / Recessed / Suspended	Surface
Lifetime (Hrs)	L70 B50 60,000h
Warranty (Years)	5
CE Mark	Yes
Diameter (mm)	298 mm
Depth (mm)	99 mm

Technical Information

Wattage	18W - 27W
Lumens Delivered	1300lm - 1900lm (4000K)
Lm/W	69lm/W - 71lm/W (4000K)
Beam Angle	105/110
CRI	80
CCT	3000/4000K
Input	220/240V
Hertz	50/60Hz
Operating Temp	-20°C to 25°C
SDCM	5



Datasheet generated from <https://onetimepim.com> last updated Thursday, October 13, 2022 10:02:03 PM