



ADLED2/WV/CCT

Delta CCT 2 White



Features

All polycarbonate multi-purpose LED round bulkhead suitable for ancillary areas and industrial applications

Push fit feed-in, feed-out terminals for speed and ease of installation

Internal CCT selector switch allows the installer to choose the CCT between 3000K and 4000K

Supplied c/w optional trim attachment which provides a more commercially aesthetic appearance

Unique Visiluxe diffuser allows 90% light transmission from LED source for increased performance

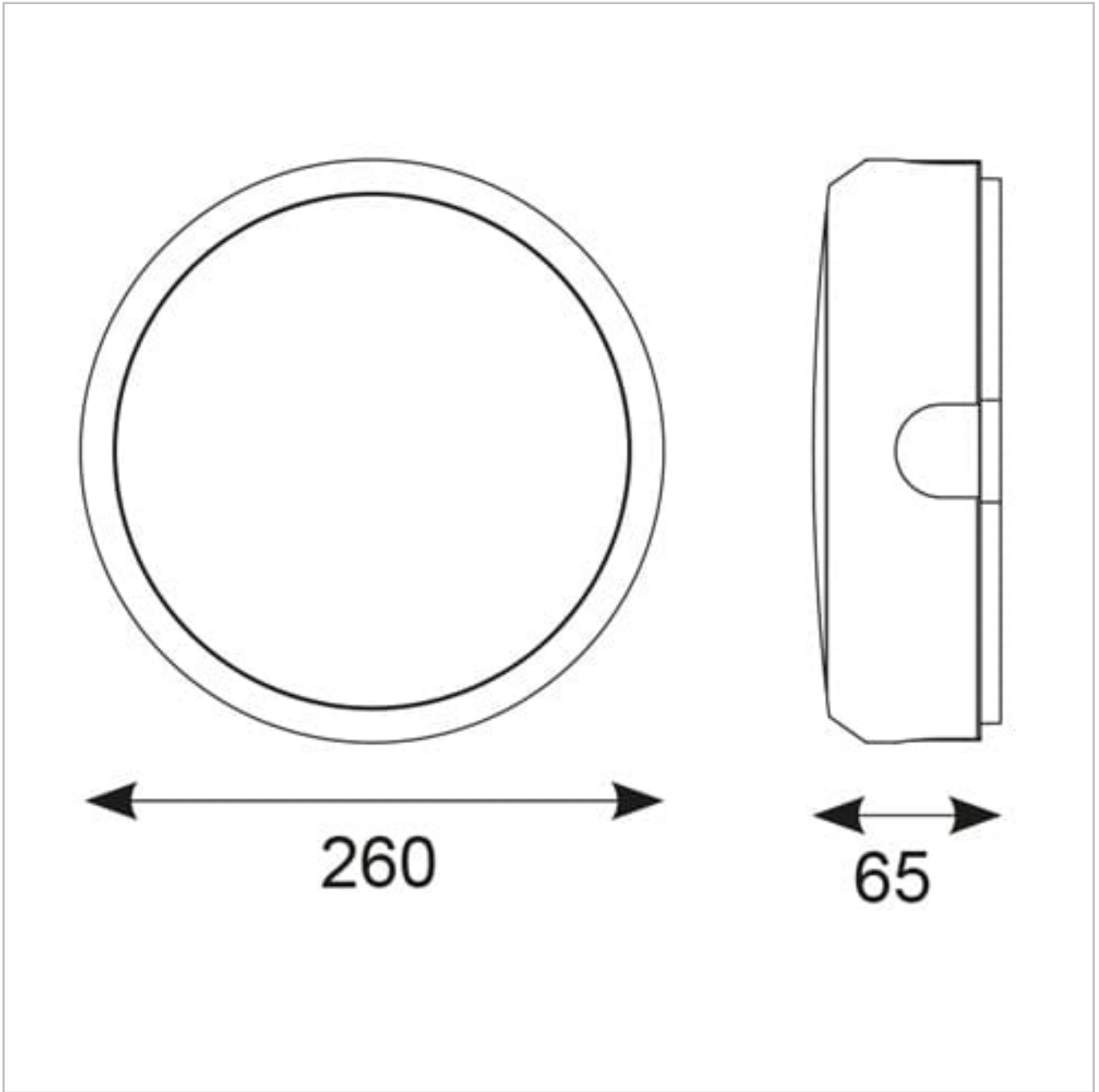
Instant light output and unlimited switching

General Information

Lamp Type	LED
Colour / Finish	White / Visiluxe
IP Rating	IP65
IK Rating	IK08
Class Protection	2
Internal / External	Internal / External
Surface / Recessed / Suspended	Surface
Lifetime (Hrs)	L70 B50 60,000h
Warranty (Years)	5
CE Mark	Yes
Diameter (mm)	294 mm
Depth (mm)	73 mm
Accessories	ADLED2/BZ/EYE/B, ADLED2/BZ/EYE/W, ADLED2/BZ/GRILL/B, ADLED2/BZ/GRILL/W

Technical Information

Wattage	7W - 13W
Lumens Delivered	940lm - 1600lm (4000K)
Lm/W	135lm/W - 125lm/W (4000K)
Beam Angle	115
CRI	80
CCT	3000/4000K
Input	220/240V
Hertz	50/60Hz
Operating Temp	-10°C to 40°C
SDCM	6



Datasheet generated from <https://onetimepim.com> last updated Thursday, October 6, 2022 8:27:08 AM