

AAZLED200

Aztec Symmetrical Floodlight 200W



Features

High performance die-cast aluminium LED floodlight with symmetrical light distribution suitable for industrial applications

High output, high efficiency floodlight

Pre-installed breathable gland prevents internal moisture accumulation

Bracket design allows installation without removing mounting bracket

High efficiency up to 148 Lm/W

Pre-wired with 1.5 metre of rubber insulated cable for ease of installation

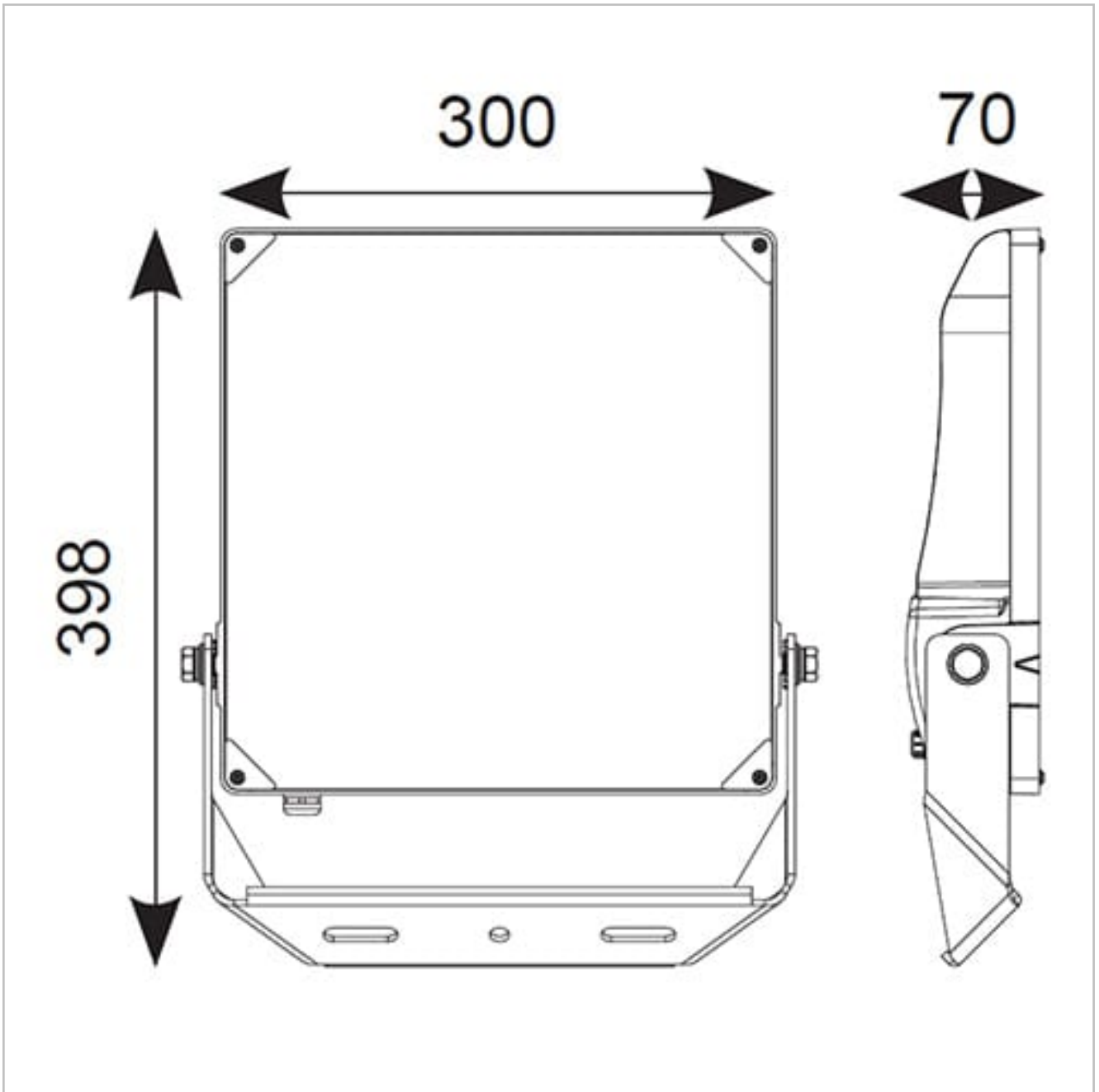
Non-dimmable

General Information

| | |
|--------------------------------|-----------------|
| Lamp Type | LED |
| Colour / Finish | Black |
| IP Rating | IP66 |
| IK Rating | IK08 |
| Class Protection | 1 |
| Internal / External | External |
| Surface / Recessed / Suspended | Surface |
| Lifetime (Hrs) | L80 B10 54,000h |
| Warranty (Years) | 5 |
| CE Mark | Yes |
| Width (mm) | 300 mm |
| Height (mm) | 398 mm |
| Depth (mm) | 70 mm |

Technical Information

| | |
|------------------|---------------|
| Wattage | 200W |
| Lumens Delivered | 28500lm |
| Lm/W | 143lm/W |
| Beam Angle | 115 |
| CRI | 70 |
| CCT | 5000K |
| Input | 220/240V |
| Hertz | 50/60Hz |
| Operating Temp | -30°C to 50°C |
| SDCM | 5 |



Datasheet generated from <https://onetimepim.com> last updated Thursday, October 6, 2022 8:27:10 AM