



AAZCLED100/ASY

Aztec Coastal Asymmetric Floodlight 100W



Features

High performance die-cast marine grade aluminium LED floodlight suitable for industrial and coastal applications

304L stainless steel mounting bracket and fixings

Marine grade construction ideal for coastal and adverse weather, swimming pool and chemical plant applications

High output, high efficiency asymmetric lens technology for anti-light pollution

Pre-installed breathable gland prevents internal moisture accumulation

Pre-wired with 1.5 metre of rubber insulated cable for ease of installation

Concentrated saline 3,000 hour salt spray test to EN ISO 9227

High purity aluminium construction, surface electrophoresis and corrosion-proof treatment

Salt mist spray test verified

Non-dimmable

General Information

| | |
|---------------------------------------|-----------------|
| Lamp Type | LED |
| IP Rating | IP66 |
| IK Rating | IK08 |
| Class Protection | 1 |
| Internal / External | External |
| Surface / Recessed / Suspended | Surface |
| Lifetime (Hrs) | L80 B10 54,000h |
| Warranty (Years) | 5 |
| CE Mark | Yes |
| Width (mm) | 230 mm |
| Height (mm) | 314 mm |
| Depth (mm) | 61 mm |

Technical Information

Wattage 100W

Lumens Delivered 14250lm

Lm/W 143lm/W

Beam Angle 60/120

CRI 70

CCT 5000K

Input 220/240V

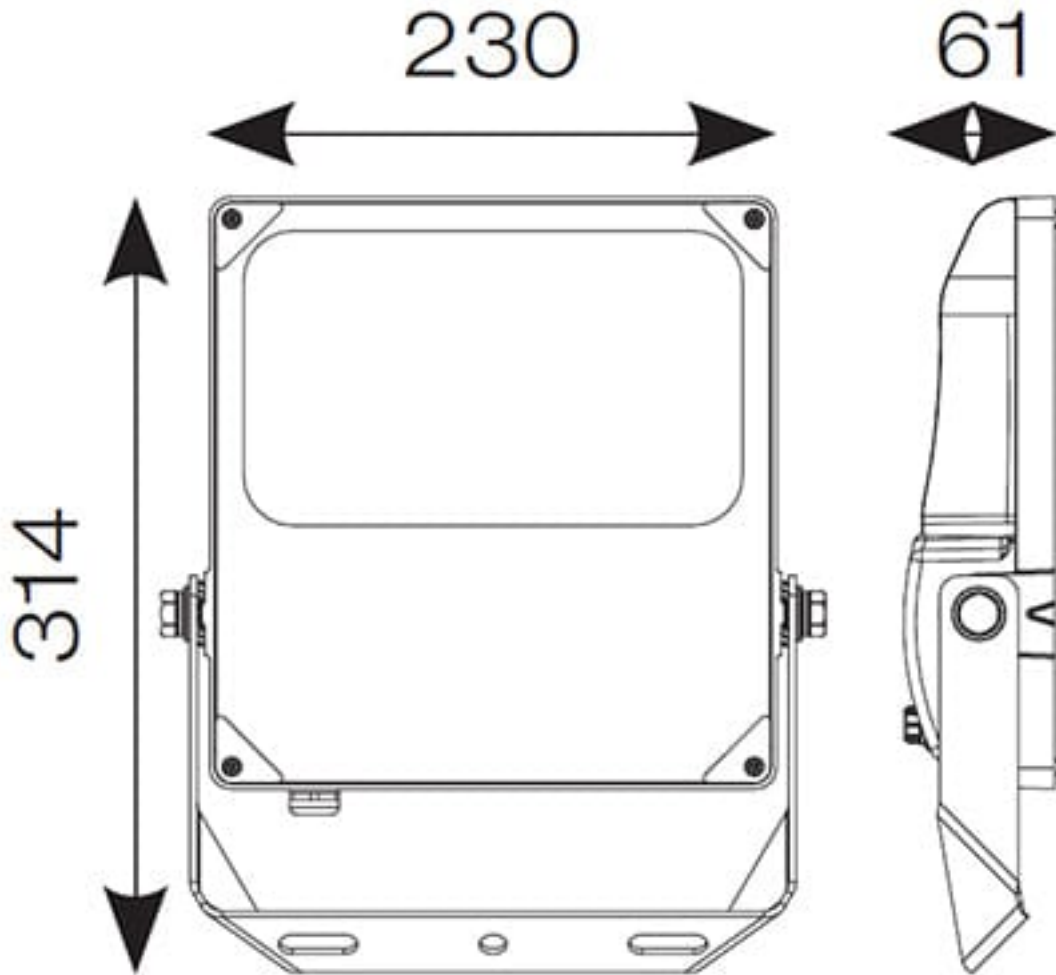
Hertz 50/60Hz

Operating Temp -30°C to 50°C

SDCM 5

UGR 38

Datasheet generated from <https://onetimepim.com> last updated Thursday, October 6, 2022 8:27:10 AM



AAZCLED100