



AADL/3M/W

Adler Exit Sign Maintained / Non-Maintained White



Features

Light weight contemporary Ansell design, multiple install options LED Exit Sign

Rotatable legends to reduce waste and increase flexibility

One fitting that enables choice of five different mounting options: Suspension, Recessed, Ceiling surface, Wall surface, Side arm wall mounting

1 metre suspension cable supplied as standard

LiFePO4 Lithium battery provides improved energy consumption, product reliability and lifetime

Available in black and white finishes

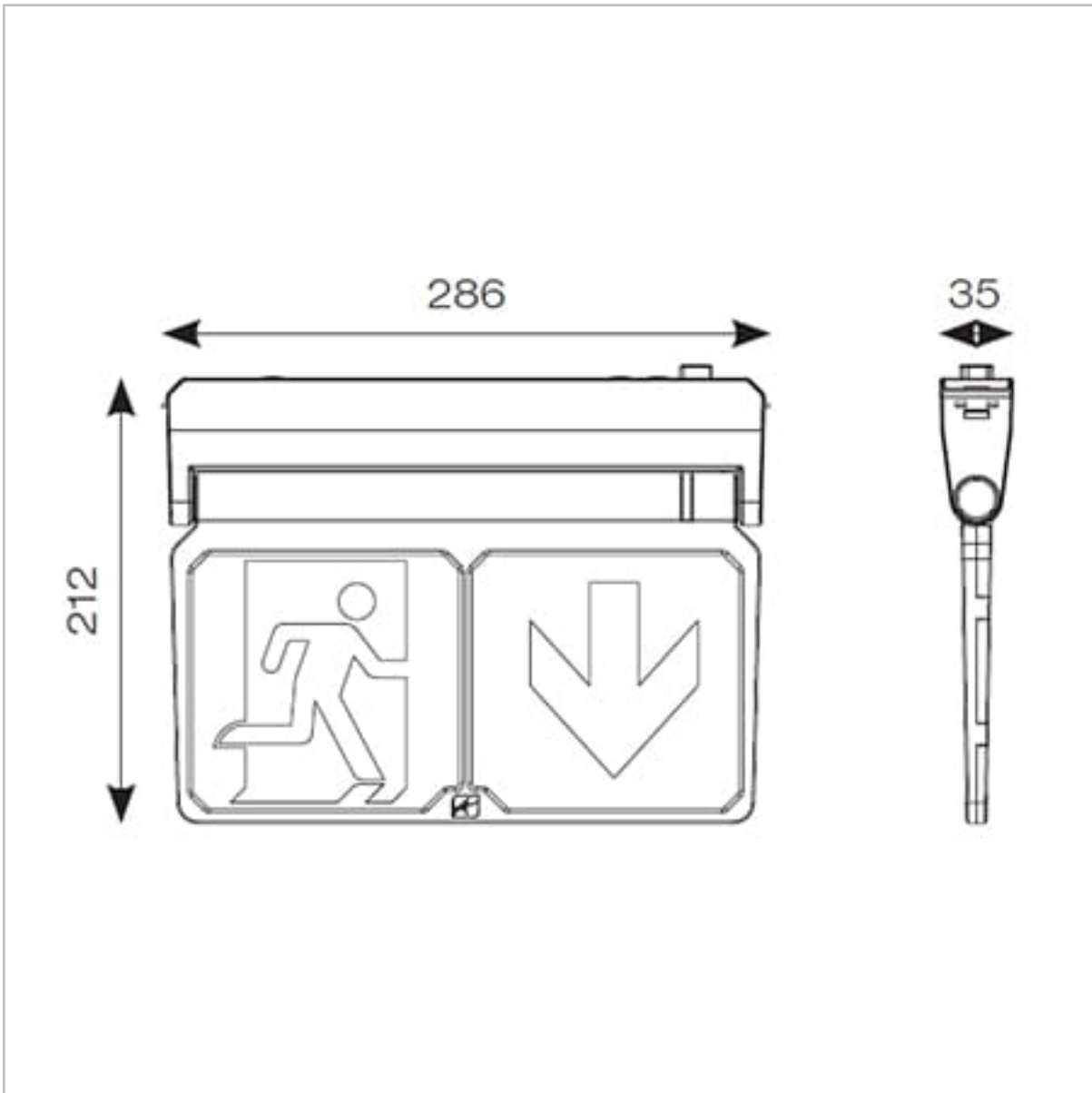
Self-test emergency as standard

General Information

Lamp Type	LED
Colour / Finish	White
Emergency	Yes
Self Test	Yes
IP Rating	IP20
IK Rating	IK08
Class Protection	1
Internal / External	Internal
Surface / Recessed / Suspended	Recessed, Surface, Suspended
Lifetime (Hrs)	L70 50,000h
Warranty (Years)	5
CE Mark	Yes
Length (mm)	286 mm
Height (mm)	212 mm
Depth (mm)	35 mm
Accessories	AADL/WB/W, AADL/WB/BLK, AADL/SRK/W, AADL/SRK/BLK, ASBP/22/LI

Technical Information

Wattage	2W
CRI	70
CCT	6500K
Input	220/240V
Hertz	50/60Hz
Operating Temp	0°C to 40°C
SDCM	6



Datasheet generated from <https://onetimepim.com> last updated Thursday, October 6, 2022 8:27:18 AM